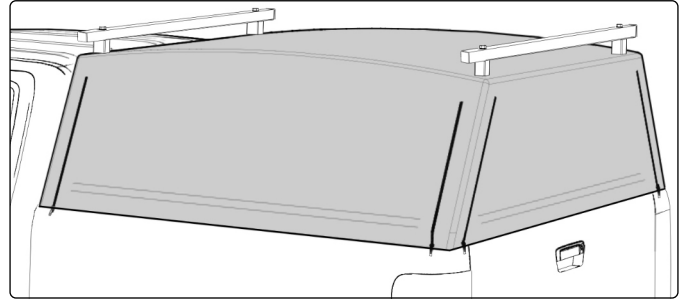
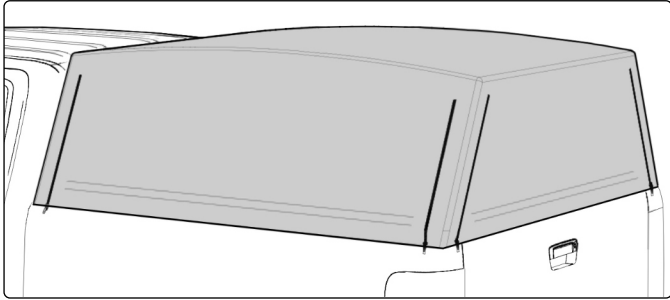


# AUSSIE TONNEAUS WILDBACK CANOPY

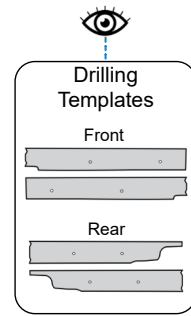
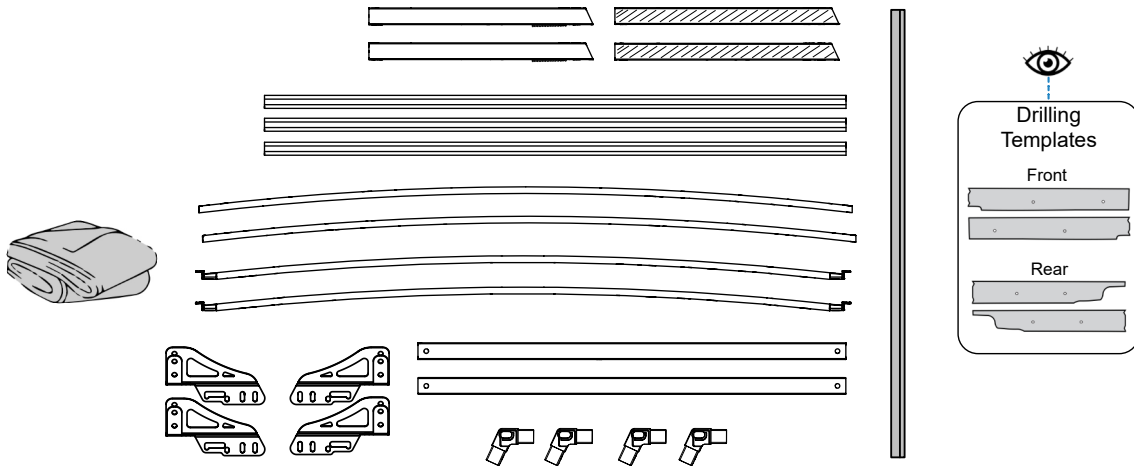
## FITTING INSTRUCTIONS

Part Name/Description:

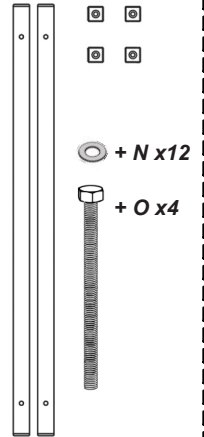
|                   |   |
|-------------------|---|
| Part No: ATW01750 | Ford Ranger PJ/PK DC With Rails, 2007 To 2011, No LR Wildback Canopy  |
| Part No: ATW01751 | Ford Ranger PJ/PK DC With Rails, 2007 To 2011, LR Wildback Canopy     |
| Part No: ATW01765 | Mazda BT-50 DX SDX DC With Rails, 2007 To 2011, No LR Wildback Canopy |
| Part No: ATW01766 | Mazda BT-50 DX SDX DC With Rails, 2007 To 2011, LR Wildback Canopy    |



### In the Box



### LADDER RACK OPTION



Additional Tools  
Required



Phillips Head Screwdriver



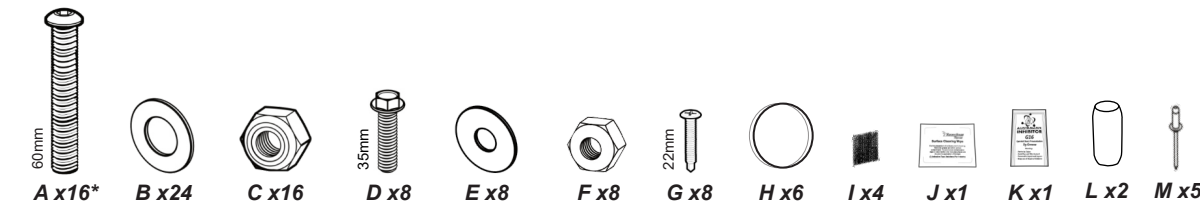
+ 17mm

Or



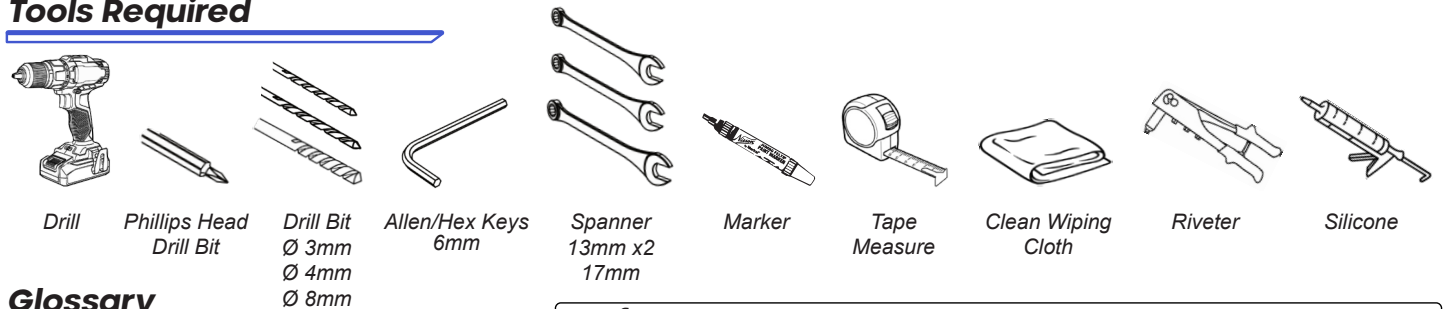
Adjustable Spanner

### Hardware



\*A x12 for LR version

### Tools Required



### Glossary

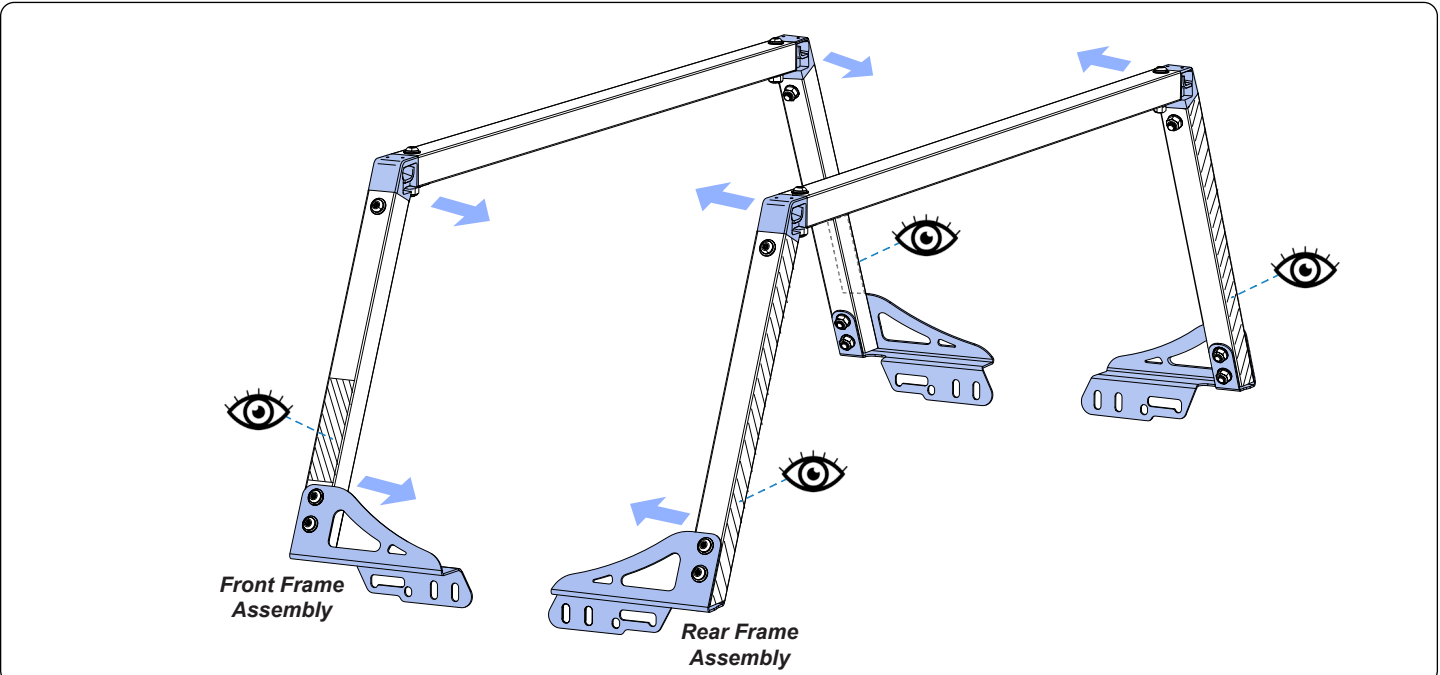
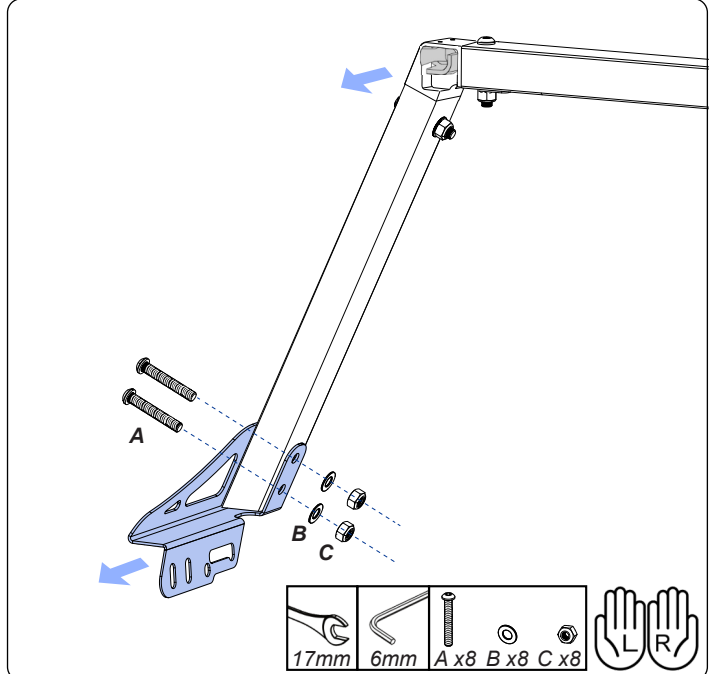
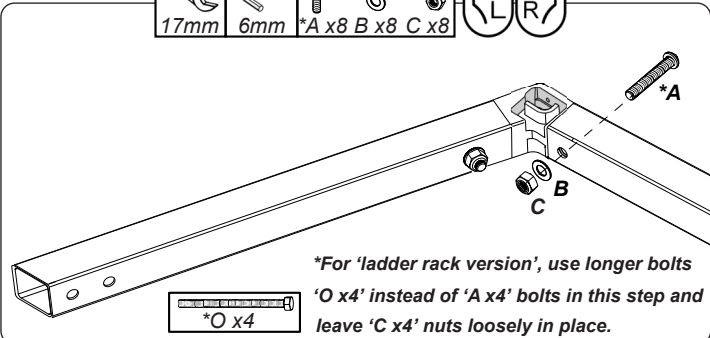
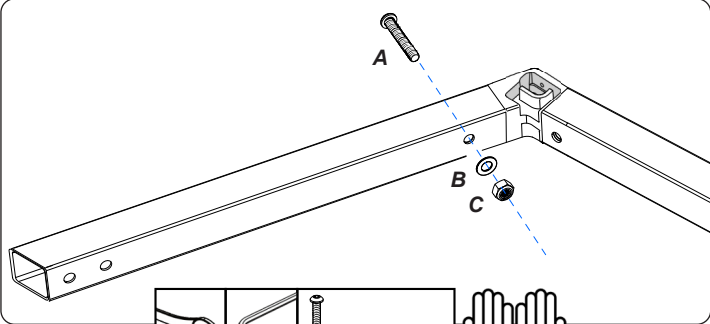
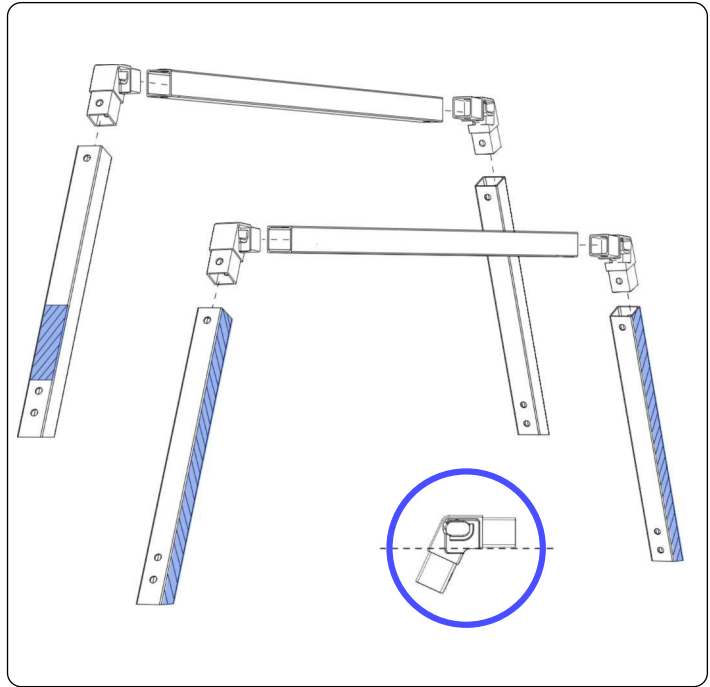
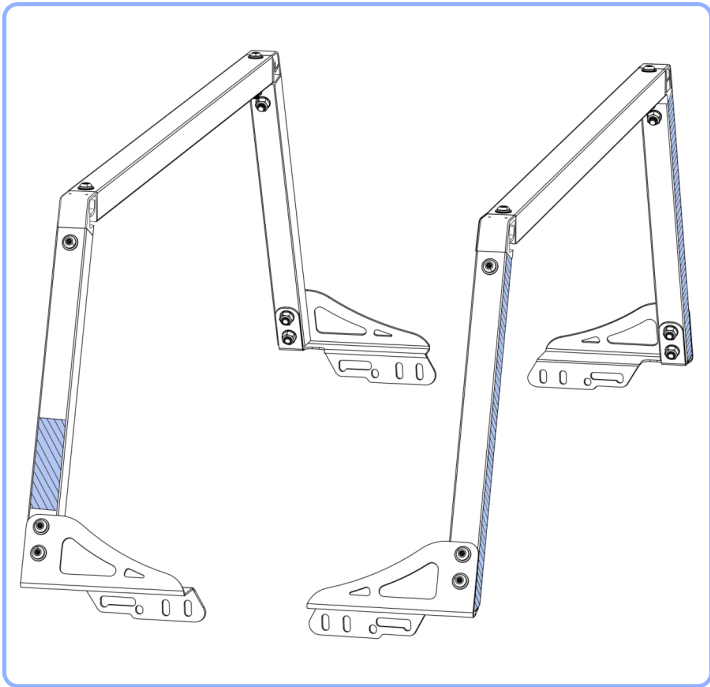


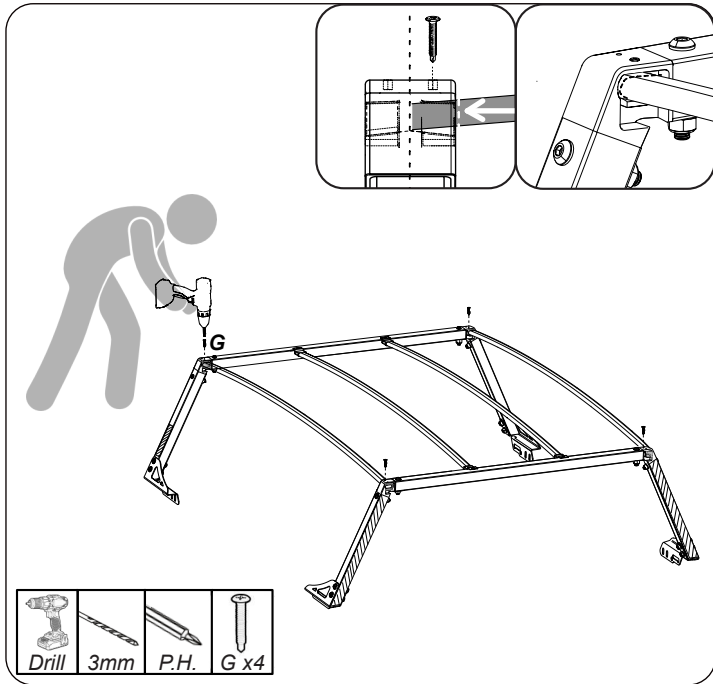
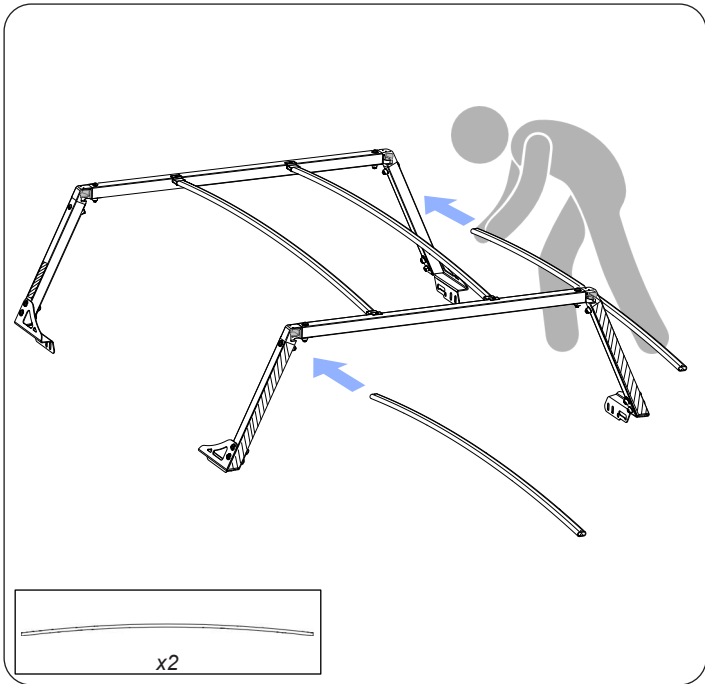
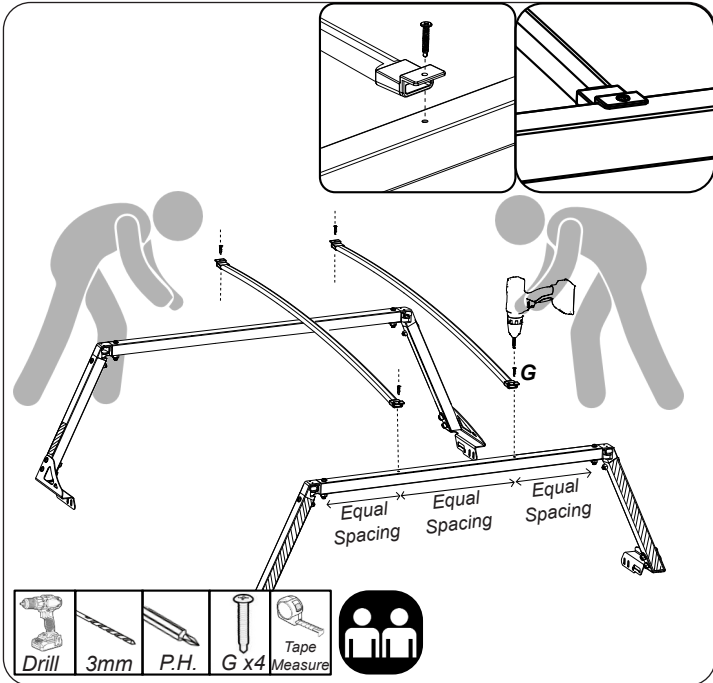
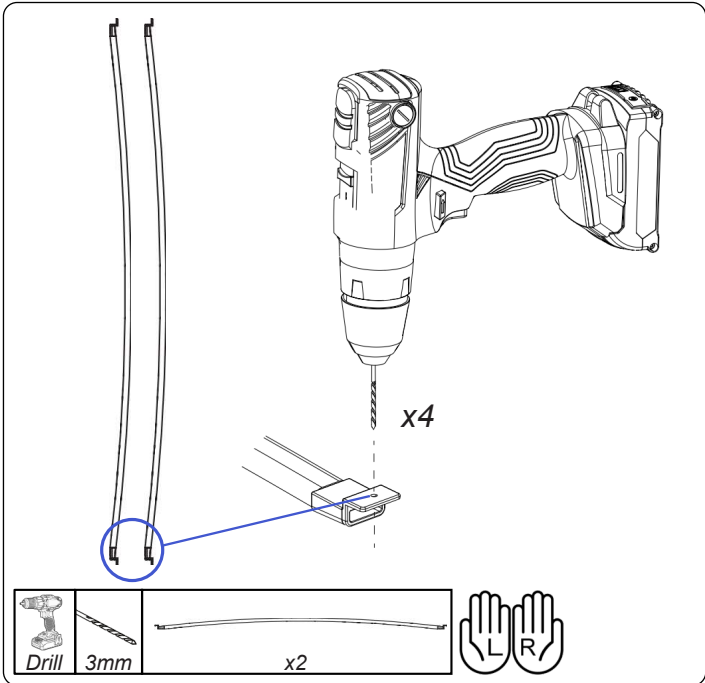
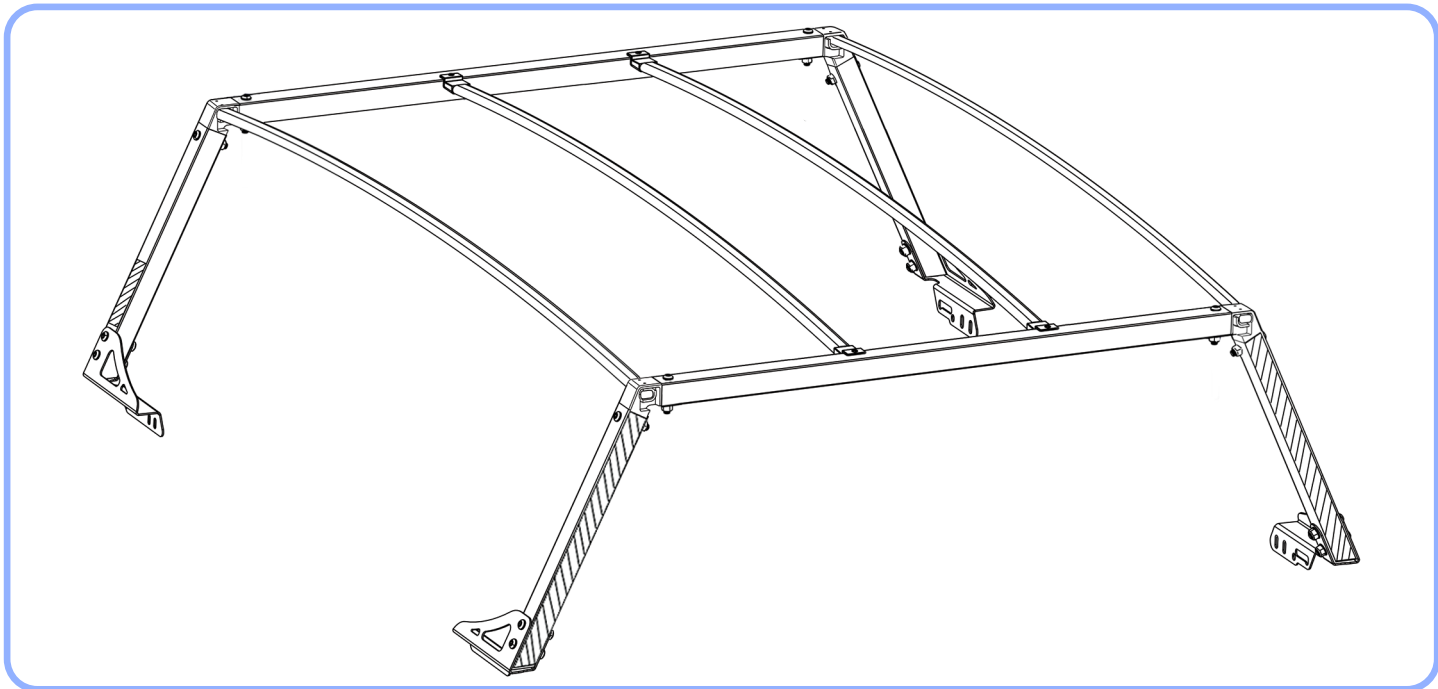
### Safety Notes

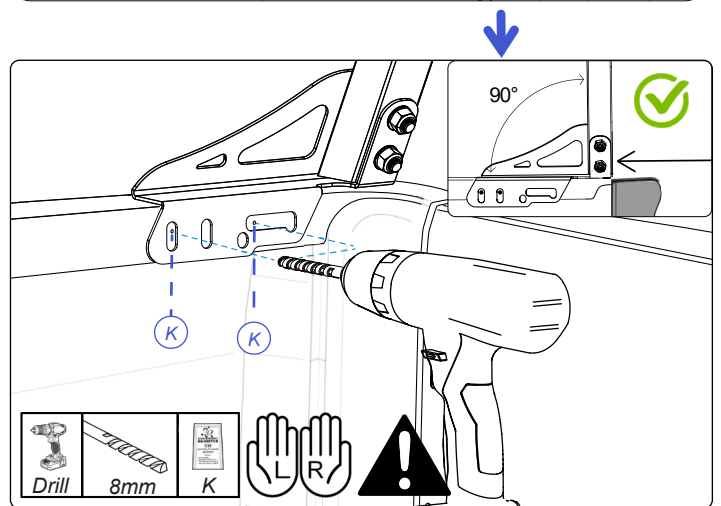
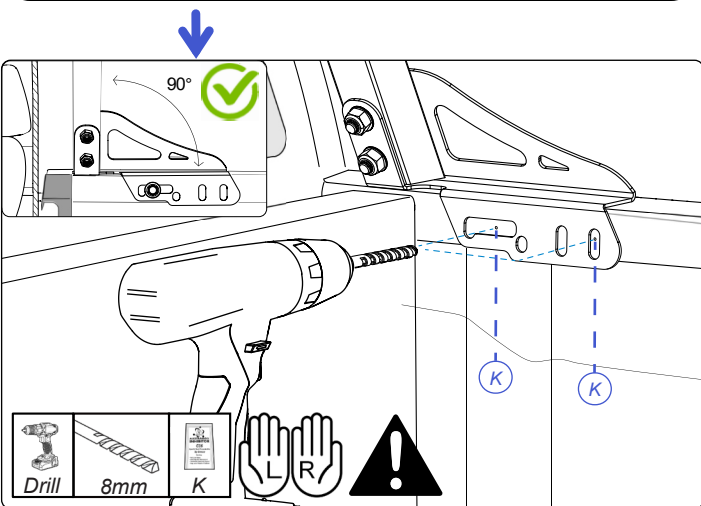
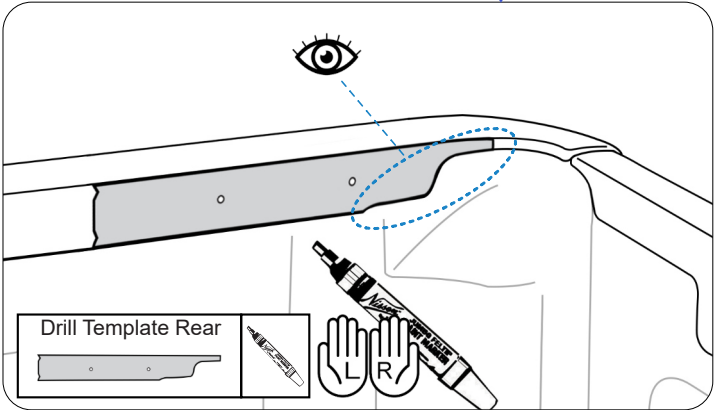
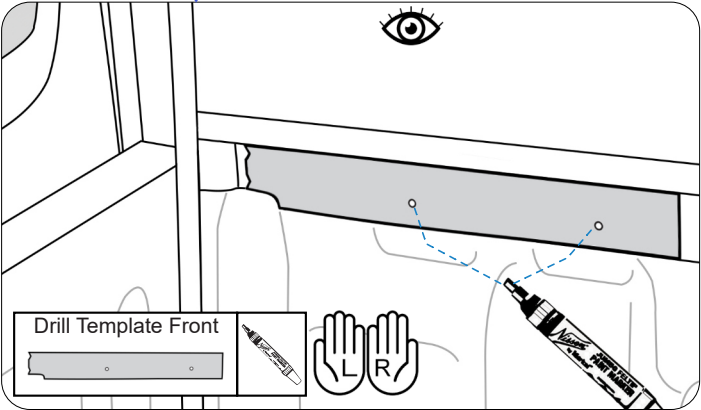
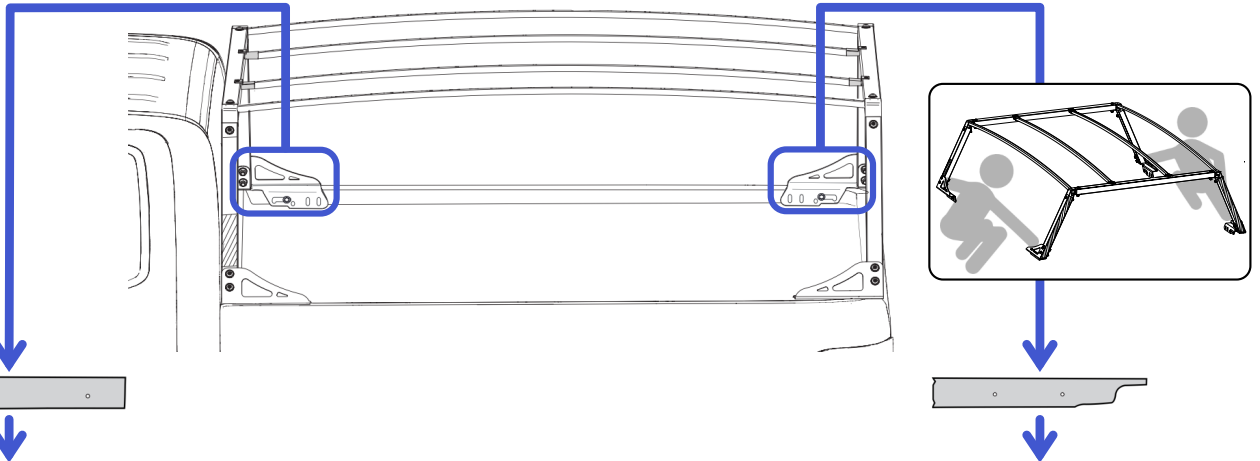
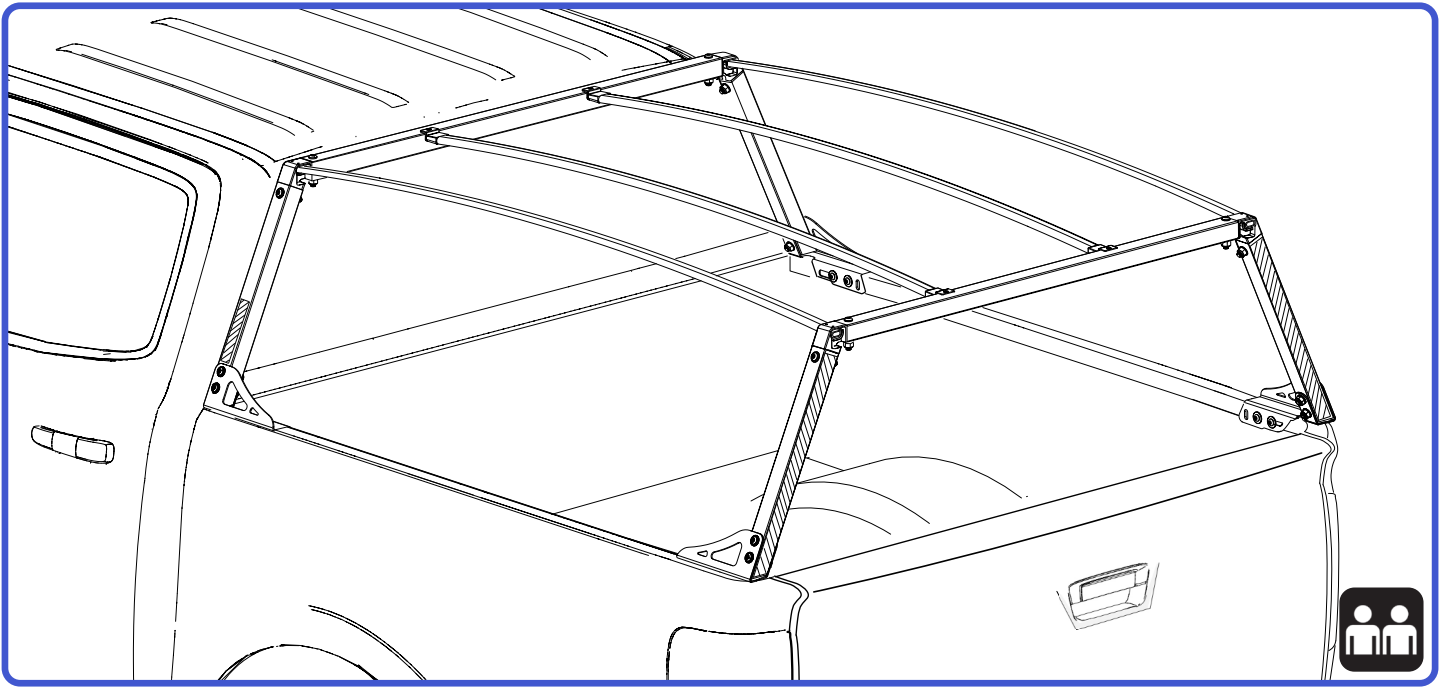
- Wear appropriate Personal Protective Equipment.
- During the accessory fitment, ensure all Australian automotive safety practices are followed.
- Always refer to the vehicles workshop manual when removing components.

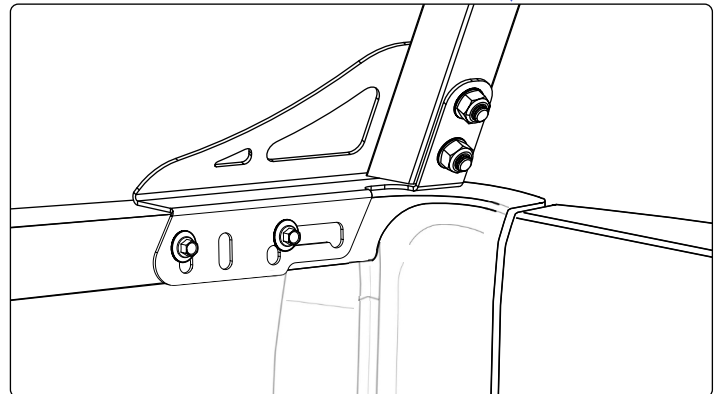
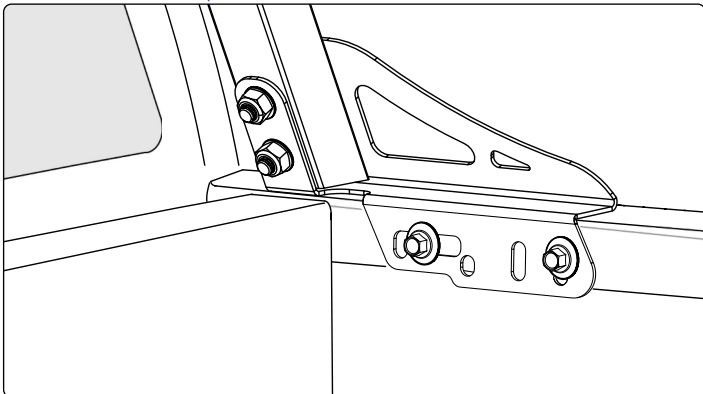
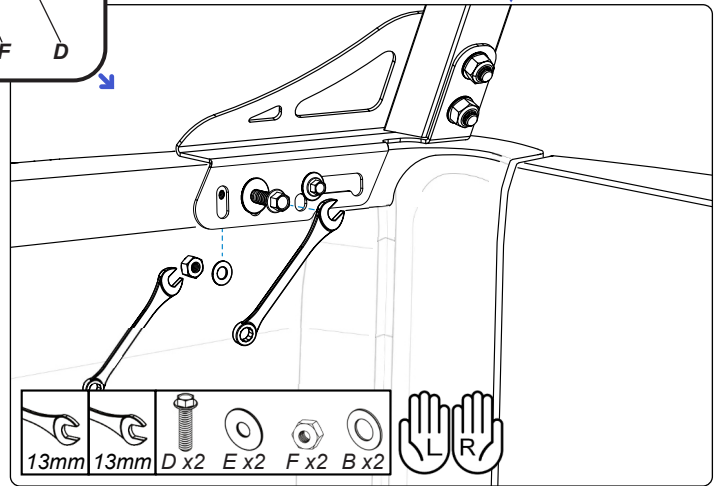
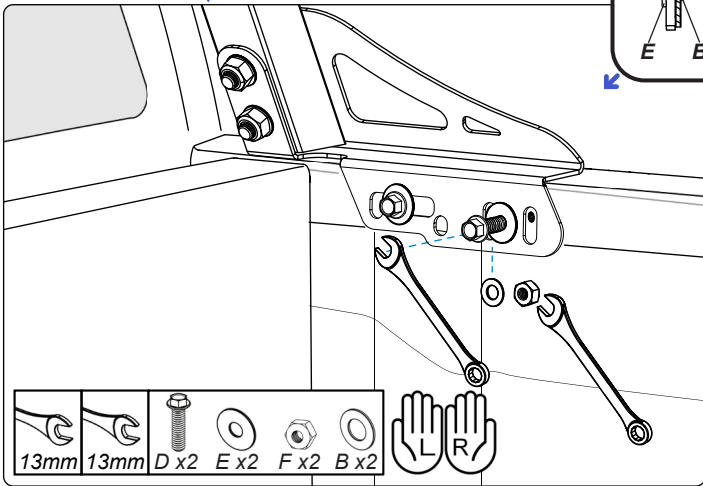
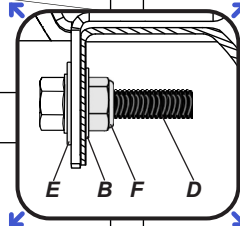
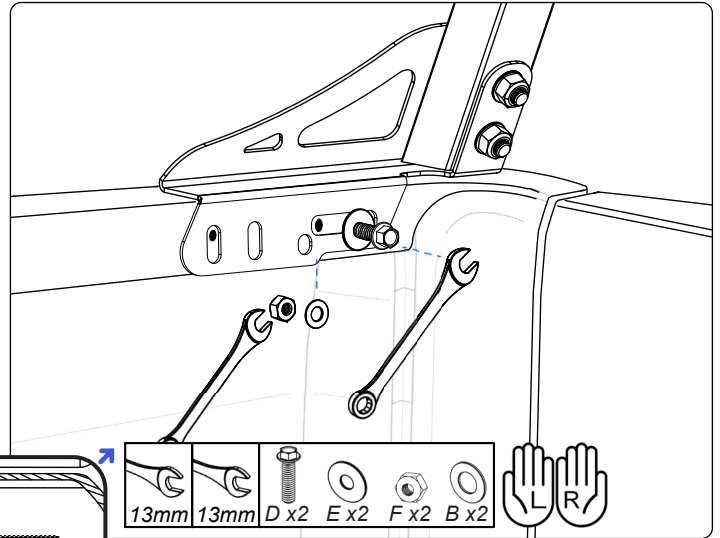
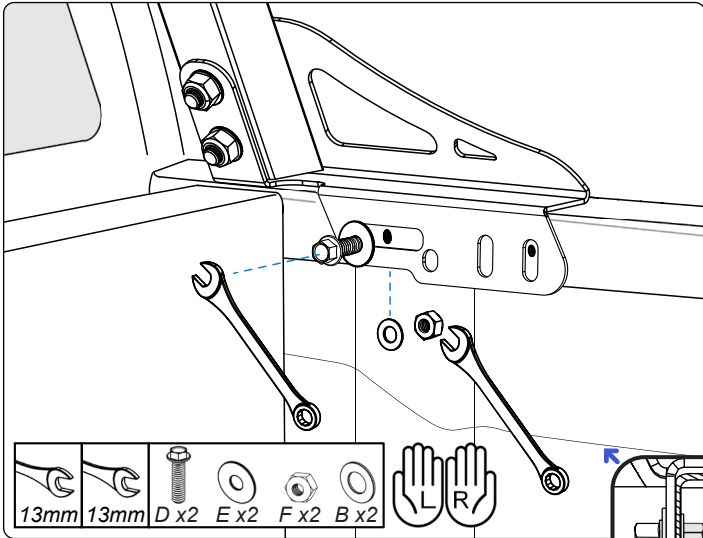
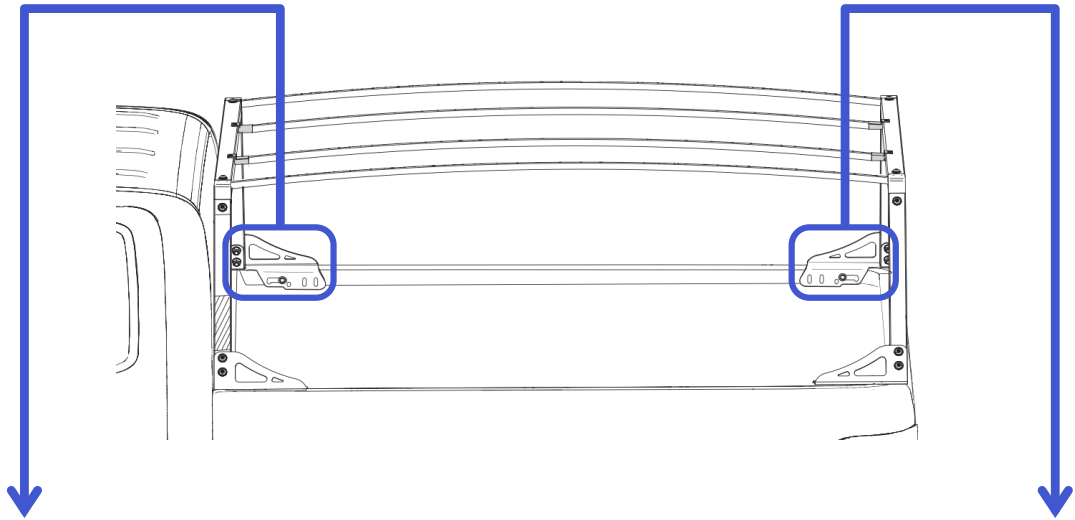


Any vehicle accessories which are not properly fitted, can be dangerous. Please read these instructions carefully prior to fitting and comply with the instructions at all times. If in any doubt please contact us e: [sales@aussietonneaus.com.au](mailto:sales@aussietonneaus.com.au)



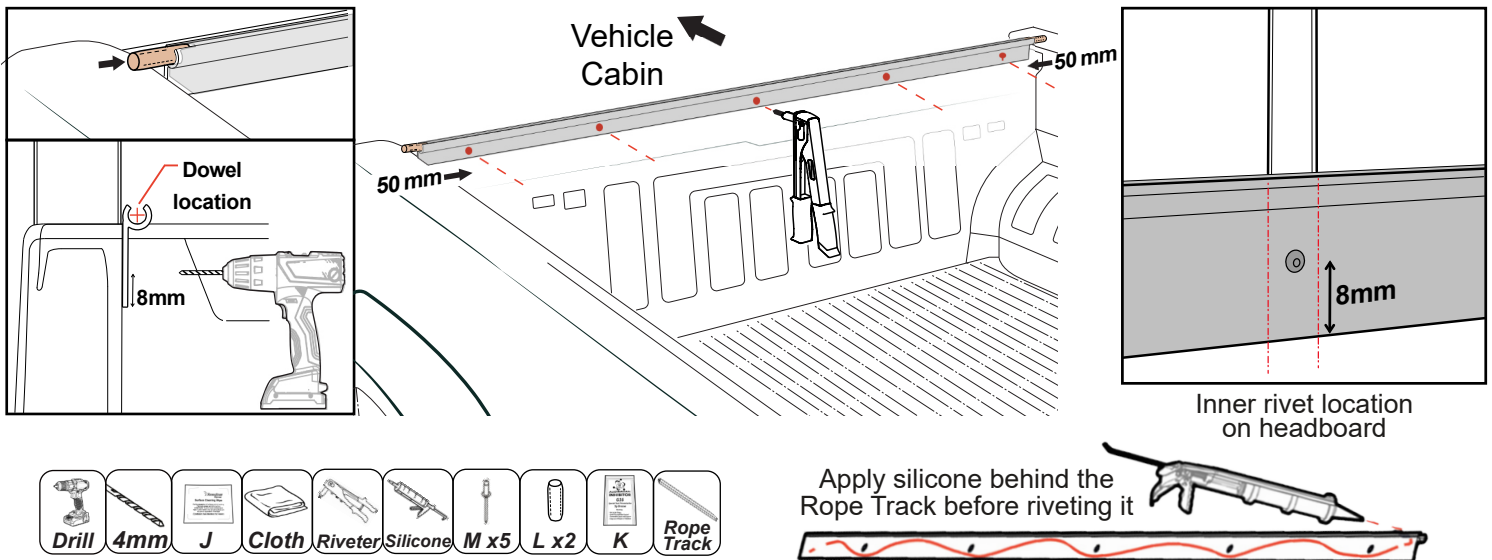




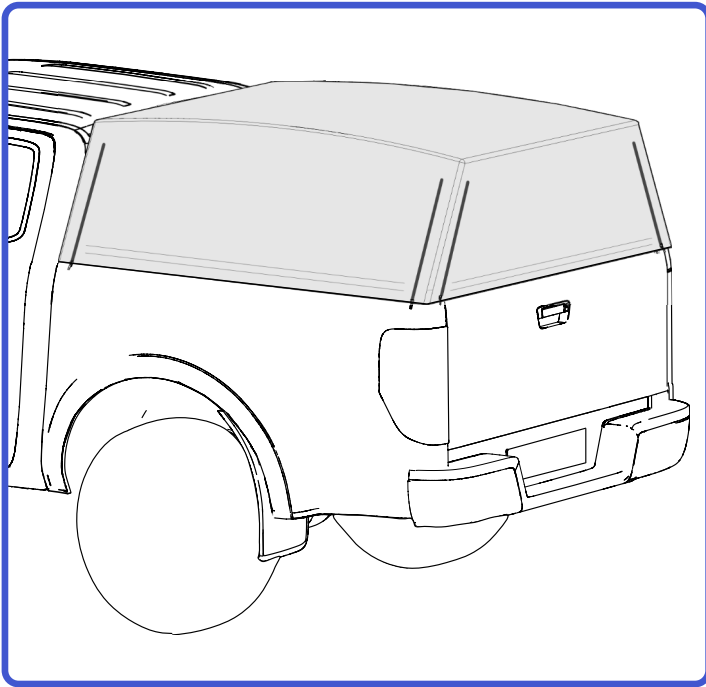


## HOW TO ATTACH THE FRONT OF CANOPY TO TUB

- Insert the dowel pieces into the aluminium rope track and rest on the side rails of tub. Ensure the rope track is positioned flush against the tub face.
- Wipe tub clean. Use the dowels to position, mark and drill holes on the rope track using the dimensions provided. 50mm from both edge of rope track for the holes on both ends. The rest are to be drilled in alignment with the headboard's supports with 8mm space from bottom edge of rope track. Drill with 4mm drill bit. Apply rust inhibitor into drilled holes. Apply silicone behind rope track and then rivet it into place using the rivets in the kit and a rivet gun.

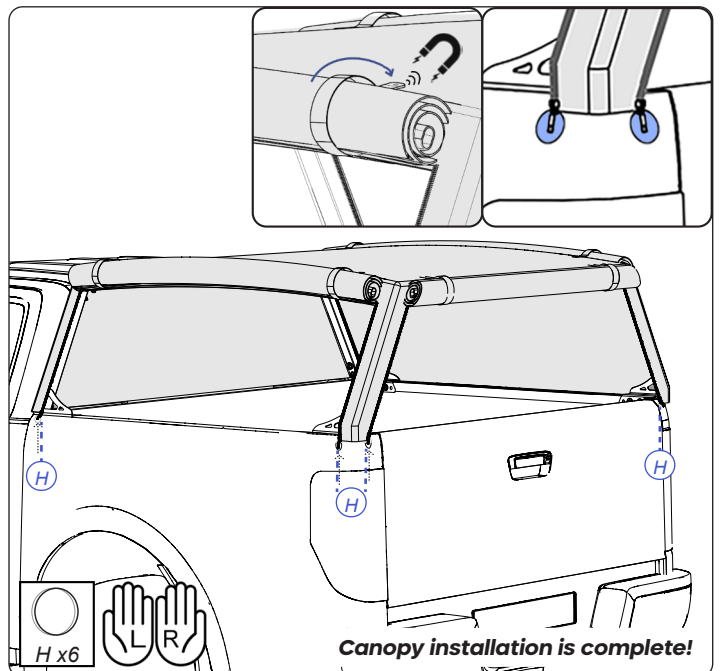
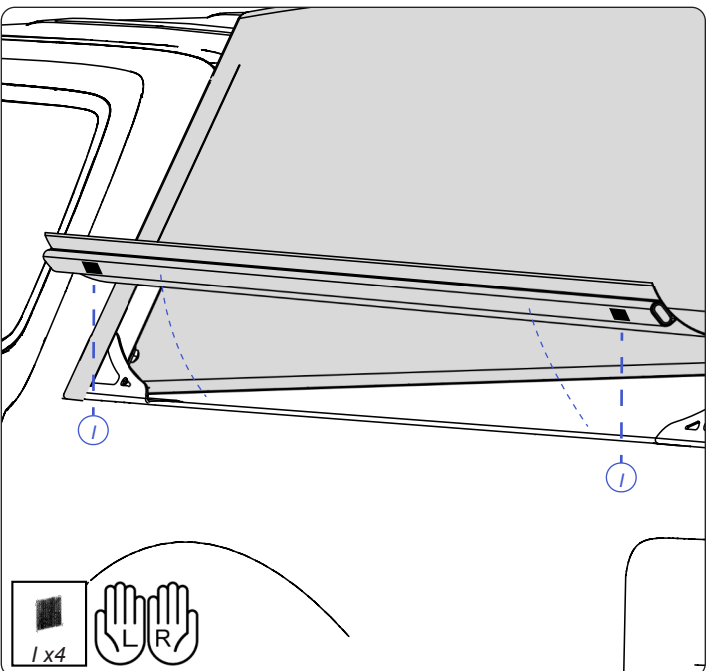
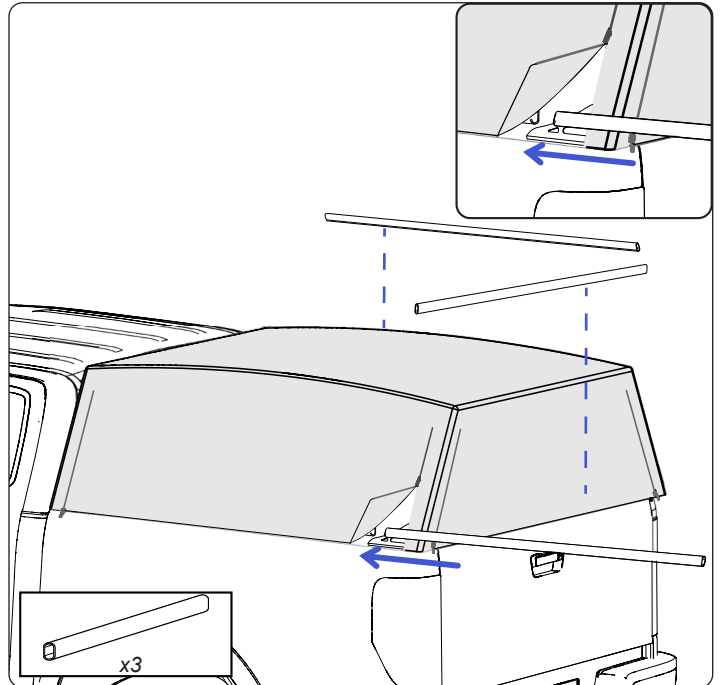
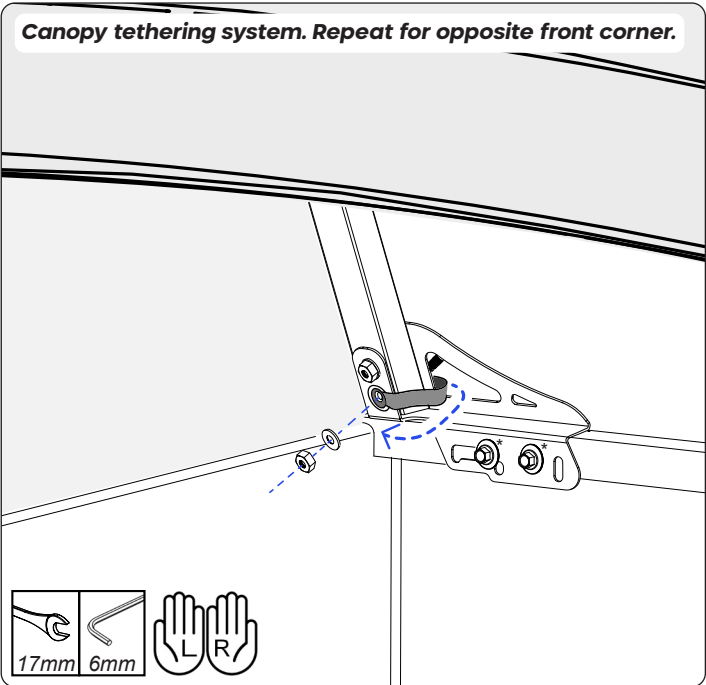
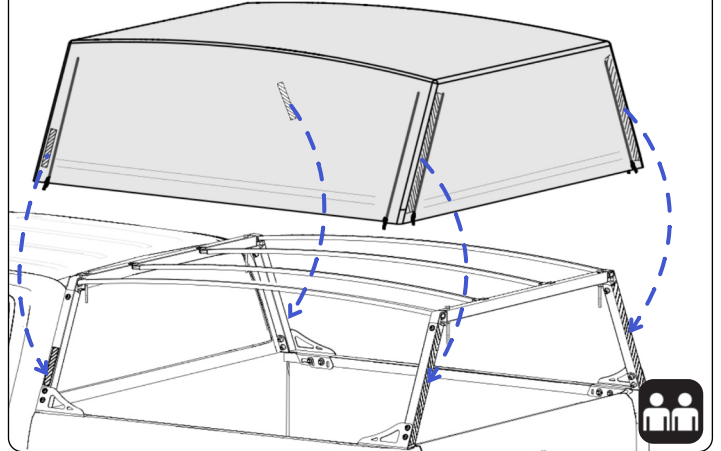


- Canopy cover will slide into the rope track from one side later in the installation steps.



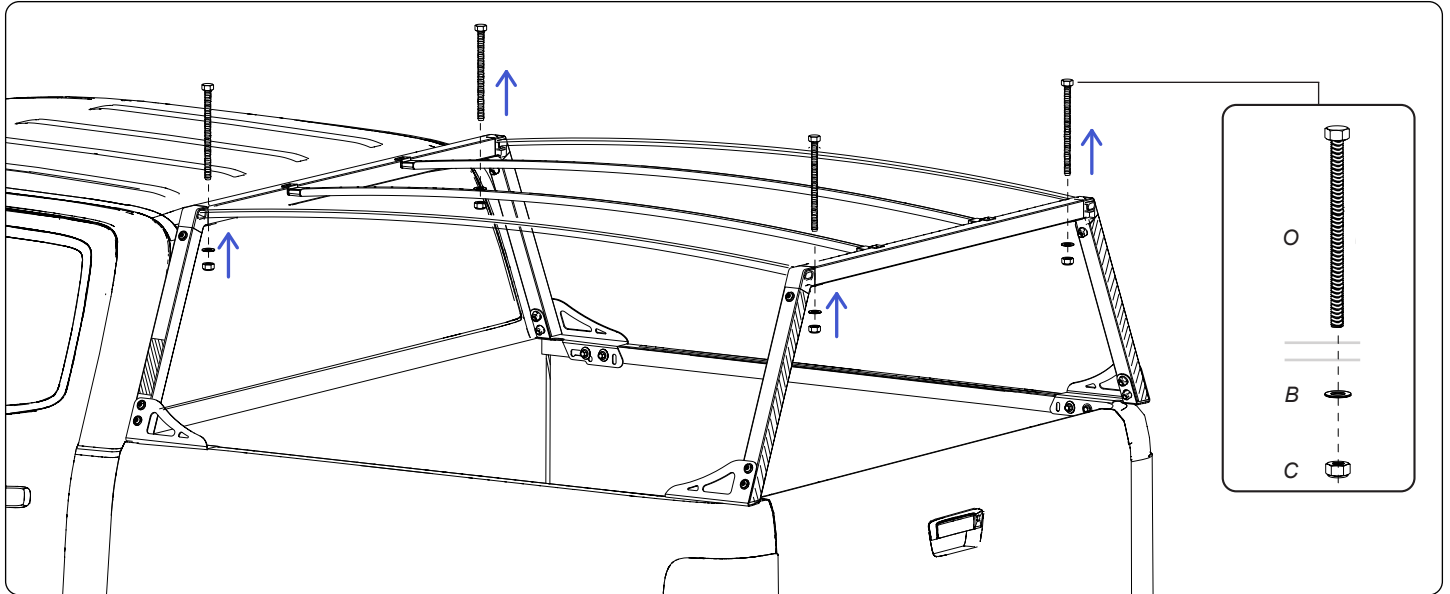
Refer to **page 8** on how to install ladder rack option.  
**For non ladder rack version skip page 8.**

Ensure the covers roof seam lines match the frame's top edges.  
 Avoid overhang. Adjust the cover as needed and secure it with the hook-and-loop velcro strips on the frame legs.

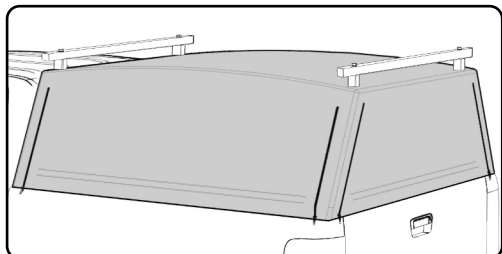
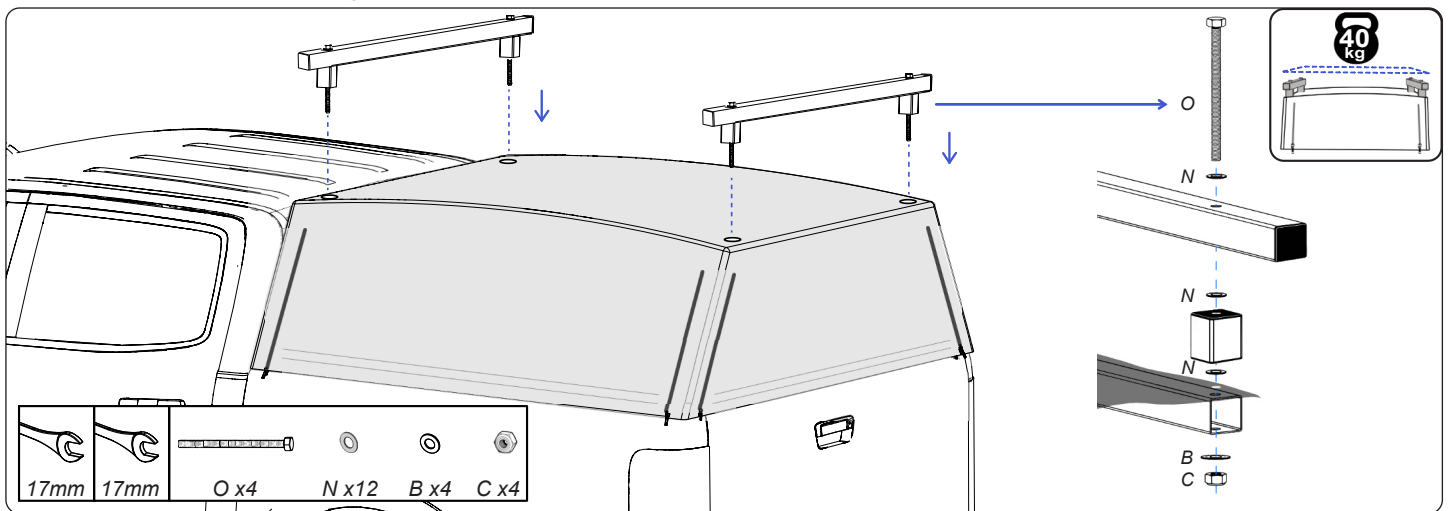
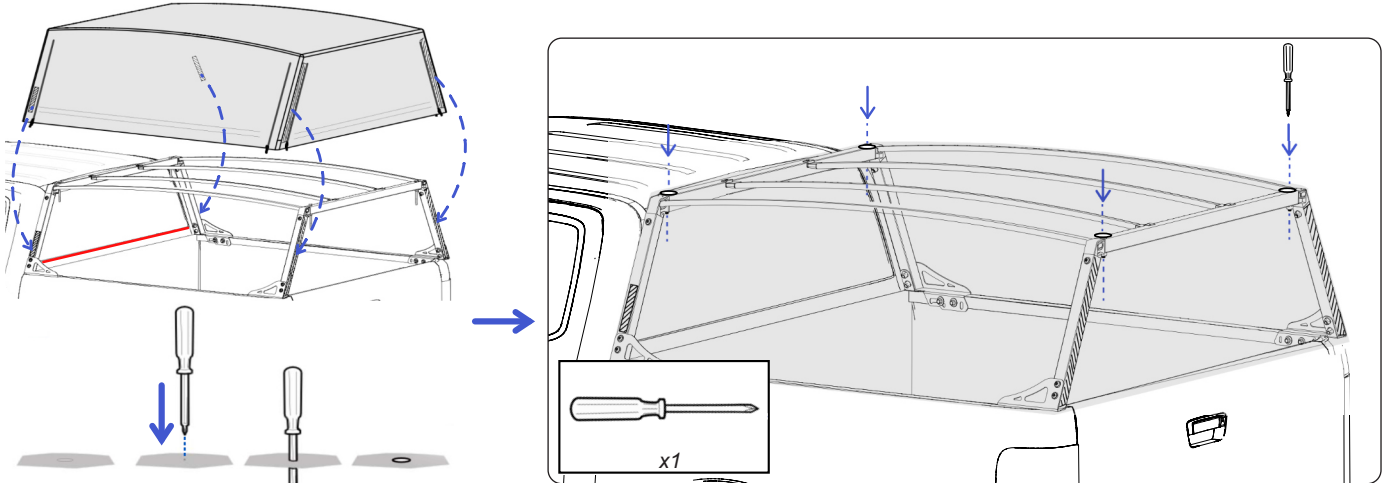


# HOW TO ATTACH LADDER RACKS FOR LADDER RACK OPTION -

If installing the ladder rack version, the bolts and nuts shown will need to be removed before placing the canopy cover on its frame. Follow steps as shown below -



Then place the canopy cover on the frame and locate the holes in tube to be poked in through the cover. Slide front of cover through rope track from one side.



Go to **page 7** to complete canopy cover attachment...



## **INSTRUCTIONS FOR USE**

### **Send Us A Photo of your Wildback!**

Happy with how your canopy turned out?  
Please send us a photo to: [sales@aussietonneaus.com.au](mailto:sales@aussietonneaus.com.au)



### **Safety -**

- Ensure the Canopy tethering system is installed correctly before driving.
- Regularly check the tightness of the fasteners.
- Load must be evenly distributed and adequately secured.
- Do NOT exceed 40kg load on Ladder Racks.
- Ensure the canopy is completely closed before driving.

### **Load carrying requirements and recommendations -**

- The load must be evenly distributed over the area of the Ladder Rack system, and the center of gravity of the load kept as low as possible. Loads which overhang the ends of the carrier system must conform to any relevant laws or by-laws in your area, and shall be adequately secured.
- Loads must be adequately secured using suitable straps or similar tightening and locking devices. The security of the load and roof load carrier shall be checked after loading and regularly throughout the journey. Elastic straps must not be used. The user is warned to maintain and to use straps in working order.
- It is recommended that items which may produce significant lifting forces (surfboard, sailboard...) are carried in such a way that lifting force is minimized, securing them independently to the front and rear of the vehicle using straps or other methods which are capable of withstanding the lifting forces. Elastic straps must not be used.
- The handling characteristics of a vehicle (in particular crosswind sensitivity, handling on bends and braking) change when a carrier system is fitted and especially if that system is loaded. Driving techniques should be altered to allow for these changes, speed reduced, especially on bends, and braking distances made greater.