

Tonneau Cover Fitting Instructions

Ssangyong Musso LWB Clip On Tonneau

2018-Current

Part No. ATC01569

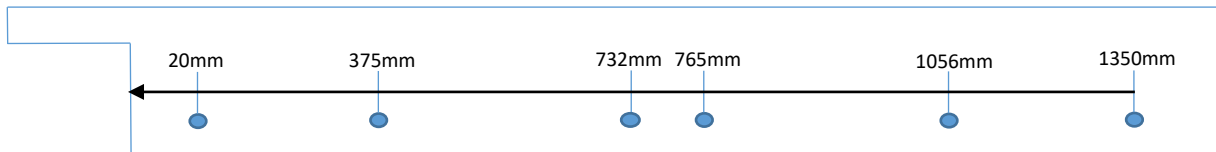
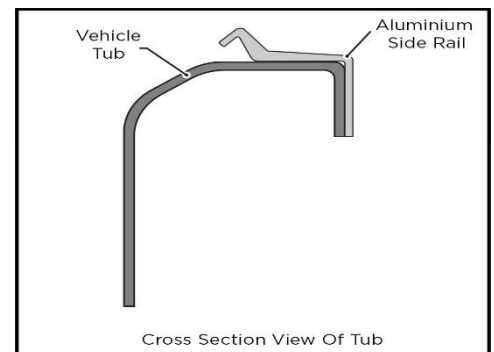
Installation Time: 1 Hour

| Package includes | |
|--------------------------------------|-------------------------|
| 1 x Tonneau Cover | 22 x 4 mm Rivet |
| 1 x Aluminium Tailgate Rail (1360mm) | 2 x Bar Bracket |
| 2 x Aluminium Side Rail (1470mm) | 1 x Internal Shock Cord |
| 1 x Support Bar | 5 x Rope Hooks |
| | 2 x Washers |
| | 1 x Fitting Instruction |
| | 1 x Metal Bracket |

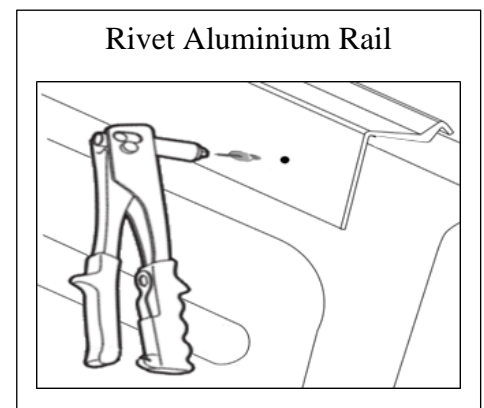
Installation Procedure

1. Attach Side Aluminium Rails (1470mm)

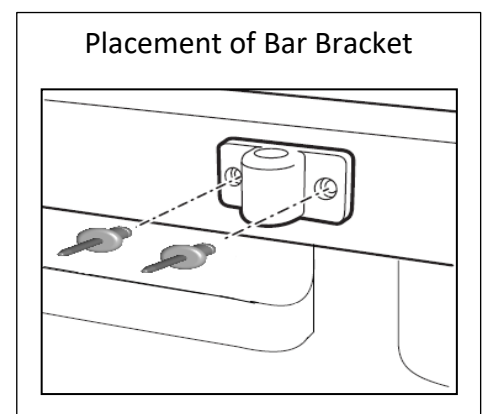
- (a) Clean the top surface of the driver's side of the tub with a damp rag. Allow to dry.
- (b) Locate the Side Rail Extrusion (1470mm) with the cut-out end hard up against the front edge of the tub.
- (c) From the front edge of the rail, 30mm up from the bottom edge, measure and mark the following locations:
 - 20mm, 375mm, 732mm, 765mm, 1056mm and 1350mm



- (d) Starting from the tailgate end, drill through the point marked at 1350mm into the tub using a 4.5mm drill bit. Then rivet into place.
- (e) Repeat with the next hole (1056mm) while maintaining pressure on the rail to ensure the rail conforms to the curve of the tub. Repeat with the remaining holes but do not rivet the two middle holes yet.
- (f) Attach the bar bracket by placing a 4mm rivet through each hole of the bracket and rivet into the remaining holes, 732mm and 765mm.

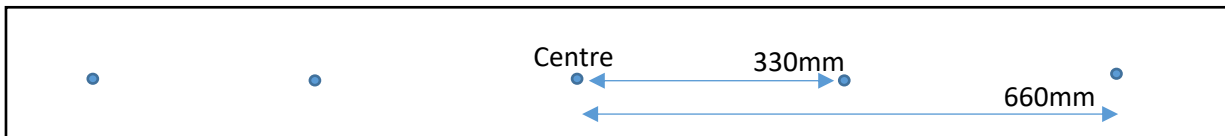
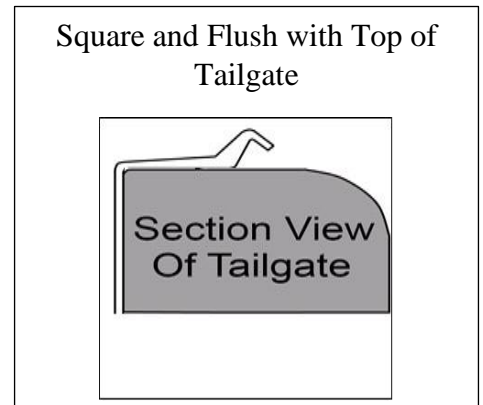


❖ **Repeat Those Instruction For The Other Side.**



2. Attach The Tailgate Aluminium Rail (1360mm)

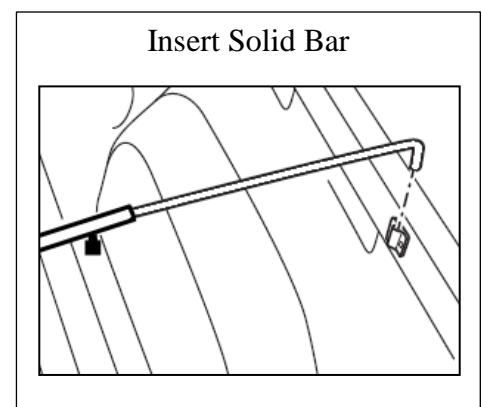
- Clean the top of the tailgate of the tub with the damp rag and allow it to dry.
- Measure and mark the center of the tailgate, and 330mm and 660mm from the center of the rail, 30mm up from the bottom edge.
- Position the aluminium in the center of the tailgate, so that it is sitting square and flush with the top surface of the tailgate.



- Drill through each of the holes in the aluminium rail into the tailgate. Rivet the aluminium tailgate rail to the tailgate to complete the attachment.

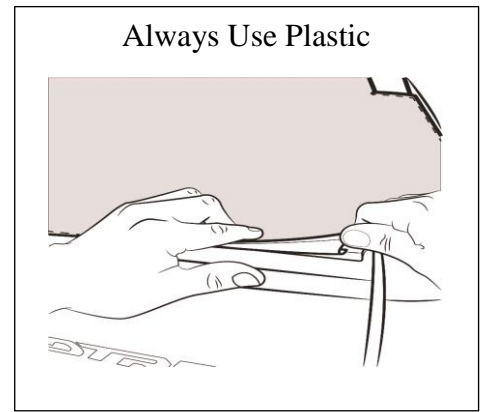
3. Fit Support Bar

- Insert solid bar pieces into either end of hollow tube. Place the bar into the Bar Brackets and centre the hollow tube.
- Adjust the hollow tube so the holes are facing to the ground (this prevents the grub screws rubbing against the tonneau).
- Tighten the grub screws to secure the hollow tube in place.



4. Fit The Tonneau Cover

- (a) Fit the plastic “J” retainer of the cover on to the metal lip, between the cab and the tub.
- (b) Clip the side plastics under the aluminium profile first using the plastic’s edge in the corners to stretch the cover.
- (c) Clip the plastic on the tailgate under the aluminium profile last.

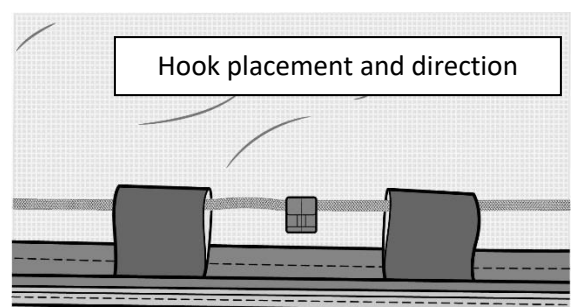
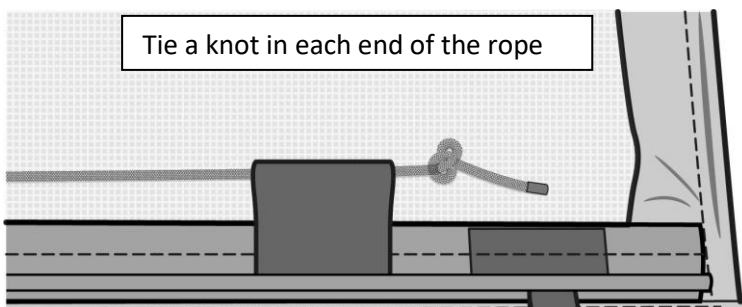
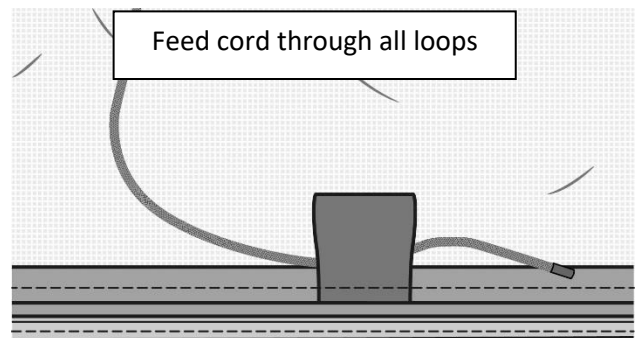


- (d) To remove cover once fitted, peel cover away from Aluminium clip in rail by peeling away from the edge of the plastic.
- (e) **IMPORTANT:** Do not use cover corners to lift. Always use plastic edges.

How to Fit Internal Elastic Shock Cord

To be used for covering larger loads

- Tie a knot in one end of the shock cord.
- Pull shock cord through all plastic hooks.
- Feed the shock cord through loops on the cover.
- Tie a knot at the other end.
- Space the hooks as required.
- Use washers to tie off rope.



Tonneau Cover Tethering System



- **Rivet the extra Metal Bracket to the Front Driver Side Rail.**
- **Untie the end of the rope of the Cover and loop it through the Metal Bracket.**
- **Rethread the Washer and tie the end of the rope into a knot.**