

Tonneau Cover Fitting Instructions

LDV T60 Max Dual Cab Clip On Tonneau

Part No. ATC01565

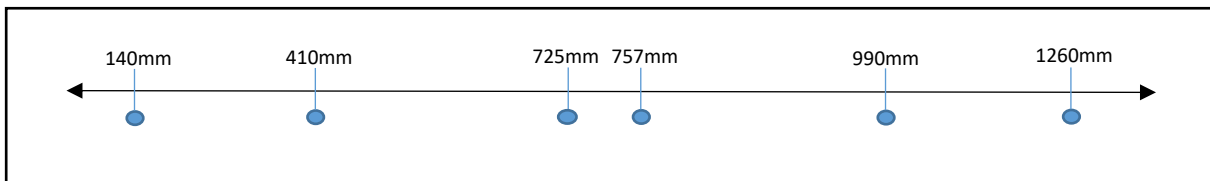
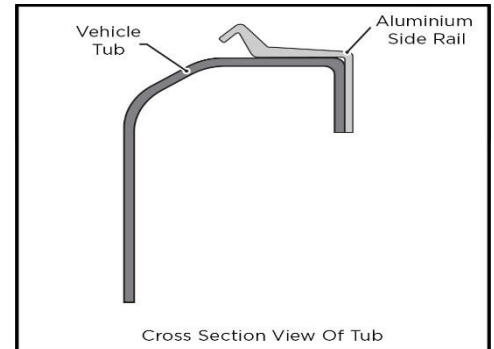
Installation Time: 1 Hour

Package includes	
1 x Tonneau Cover	22 x 4 mm Rivet
1 x Aluminium Tailgate Rail (1400mm)	2 x Bar Bracket
2 x Aluminium Side Rail (1400mm)	1 x Internal Shock Cord
1 x Support Bar	5 x Rope Hooks
	2 x Washers
	1 x Fitting Instruction
	1 x Metal Bracket

Installation Procedure

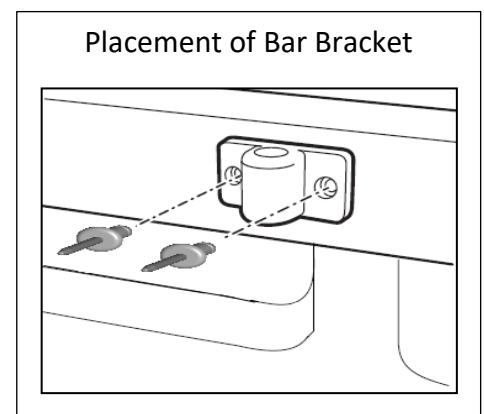
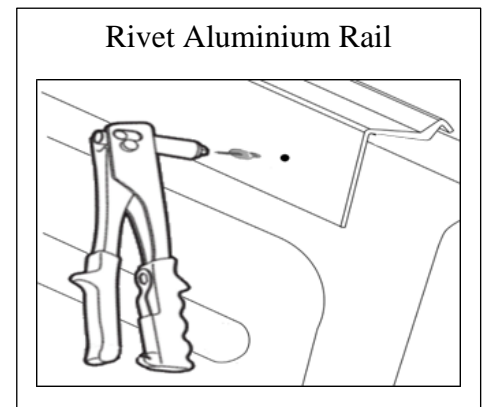
1. Attach Side Aluminium Rails (1400mm)

- (a) Clean the top surface of the driver's side of the tub with a damp rag. Allow to dry.
- (b) Locate the Side Extrusion (680mm) hard up against the front edge of the tub.
- (c) From the front edge of the rail, 30mm up from the bottom edge, measure and mark the following locations:
 - 140mm, 410mm, 725mm, 757mm, 990mm and 1260mm



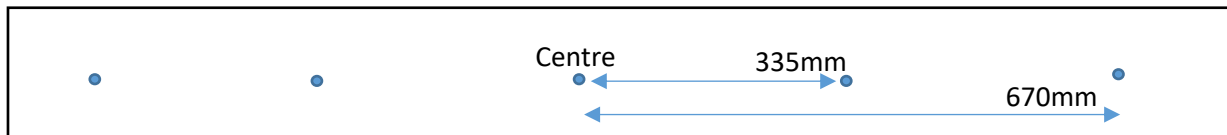
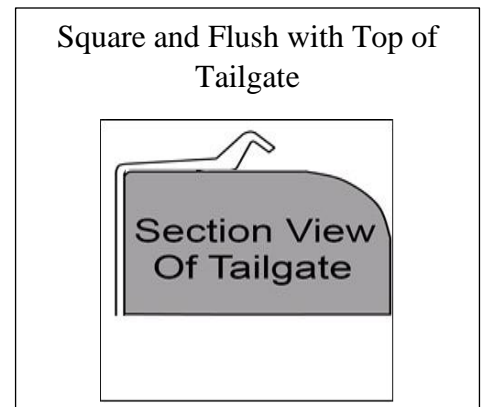
- (d) Drill through these locations into the tub using a 4.5mm drill bit. Then rivet into place except for the two middle holes.
- (e) Attach the bar bracket by placing a 4mm rivet through each hole of the bracket and rivet into the remaining holes, 725mm and 757mm.

❖ Repeat Those Instruction For The Other Side.



2. Attach The Tailgate Aluminium Rail (1400mm)

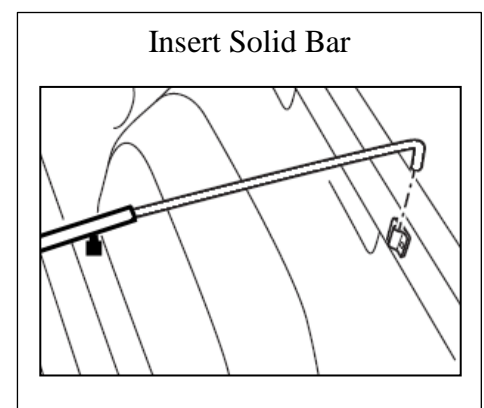
- Clean the top of the tailgate of the tub with the damp rag and allow it to dry.
- Measure and mark the centre of the tailgate, and 335mm and 670mm from the centre of the rail, 30mm from the bottom edge.
- Position the aluminium in the centre of the tailgate, so that it is sitting square and flush with the top surface of the tailgate.



- Drill through each of the holes in the aluminium rail into the tailgate. Rivet the aluminium tailgate rail to the tailgate to complete the attachment.

3. Fit Support Bar

- Insert solid bar pieces into either end of hollow tube. Place the bar into the Bar Brackets and centre the hollow tube.
- Adjust the hollow tube so the holes are facing to the ground (this prevents the grub screws rubbing against the tonneau).
- Tighten the grub screws to secure the hollow tube into place.

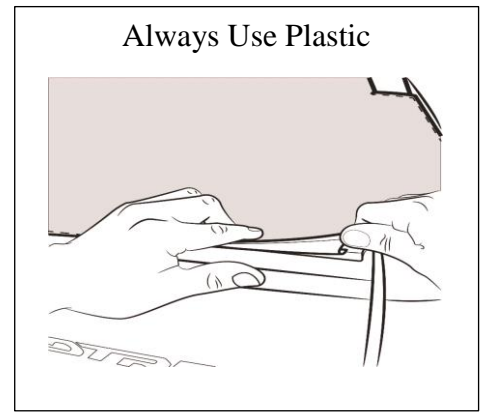


4. Fit The Tonneau Cover

- (a) Fit the plastic “J” retainer of the cover on to the metal lip, between the cab and the tub.
- (b) Clip the side plastics under the aluminium profile first using the plastic’s edge in the corners to stretch the cover.
- (c) Clip the plastic on the tailgate under the aluminium profile last.

- (d) To remove cover once fitted peel cover away from Aluminium clip in rail by peeling away from the edge of the plastic.

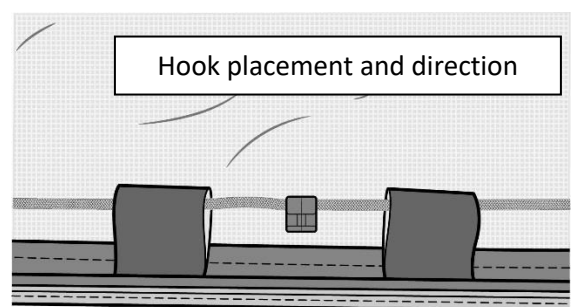
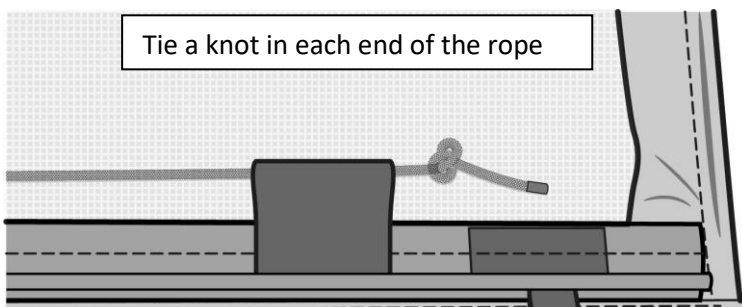
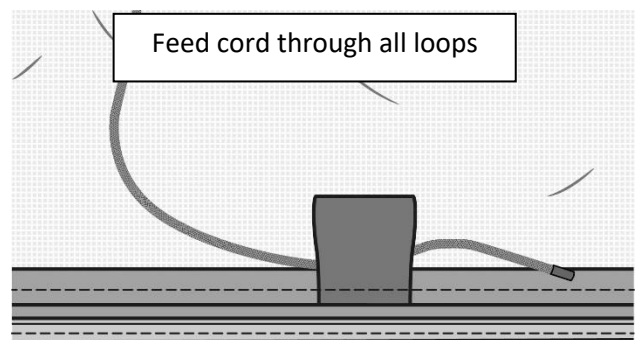
- (e) **IMPORTANT:** Do not use cover corners to lift. Always use plastic edges.



How to Fit Internal Elastic Shock Cord

To be used for covering larger loads

- Tie a knot in one end of the shock cord.
- Pull shock cord through all plastic hooks.
- Feed the shock cord through loops on the cover.
- Tie a knot at the other end.
- Space the hooks as required.
- Use washers to tie off rope.



Tonneau Cover Tethering System



- Rivet the extra Metal Bracket to the Front Driver Side Rail.
- Untie the end of the rope of the Cover and loop it through the Metal Bracket.
- Rethread the Washer and tie the end of the rope into a knot.

WARRANTY AND FEEDBACK

Register now to activate your 3 year warranty by filling out our online form!

QR Code:



Website Link: <http://www.aussietonneaus.com.au/en-au/warranty-card-request-form.html>

Thank you for purchasing a Aussie Tonneau Product.

