

# Tonneau Cover Fitting Instructions

**Holden Colorado Space Cab  
Without Factory Sport Bar and Headboard  
2012 - Current**

**Part number: ATC01317**

## **Package includes**

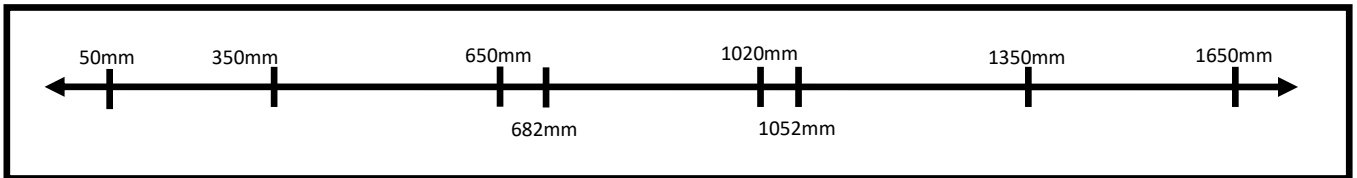
<b>1 x Tonneau Cover</b>	<b>24 x 4 mm Rivet</b>
<b>1 x Tailgate Rail (1380mm)</b>	<b>4 x Bar Bracket</b>
<b>2 x Side Rail (1700mm)</b>	<b>5 X Rope Hooks</b>
<b>2 x Support Bar</b>	<b>2 x Washers</b>
<b>1 x Metal Bracket</b>	<b>1 x Fitting Instructions</b>

# TONNEAU COVER INSTALLATION PROCEDURE

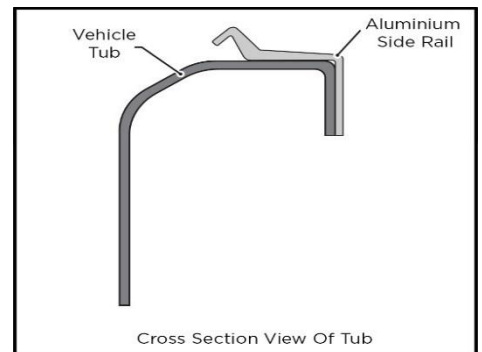
## 1. ATTACH THE SIDE ALUMINIUM RAIL(1700MM)

(a) From the front edge of the rail (30mm from the bottom edge) measure and mark the following locations:

- 50mm, 350mm, 650mm, 682mm, 1020mm, 1052mm, 1350mm and 1650mm



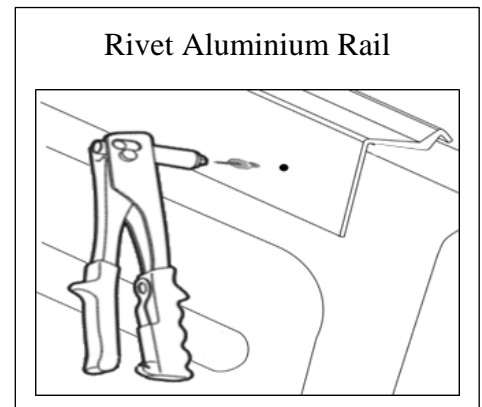
(b) Align the inside of the rail with inside the driver's side edge of the tub, pushing the side rail up against the front tub.



(c) Keep the rail square and flush with the inside of the tub.

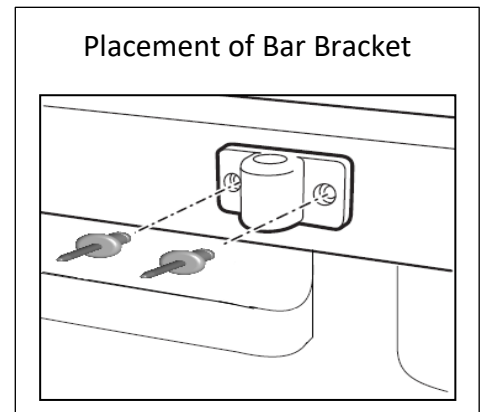
(d) Drill each marked locations through aluminium and into the inside edge of the tub with 4mm drill bit.

- **Importance note:** keep all rails flush with the top walls and tailgate while drilling.



(e) Then rivet into the places except middle two (leave for brackets).

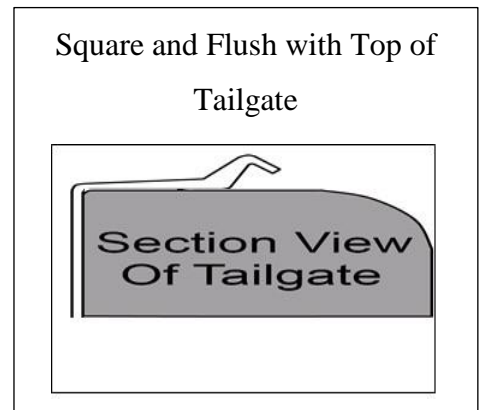
(f) Attach each Bar bracket by placing 4mm rivet through each holes of bracket and rivet into the middle four holes.



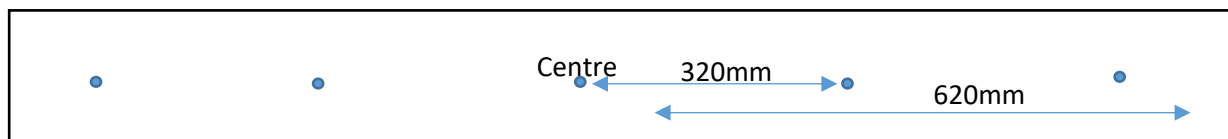
❖ Repeat those instructions for the other side.

## 2. ATTACH TAILGATE ALUMINIUM RAIL (1380MM)

- (a) Centre the rail and align the inside edge of the rail with the inside edge of the tailgate, sitting it flush on top of the tailgate.



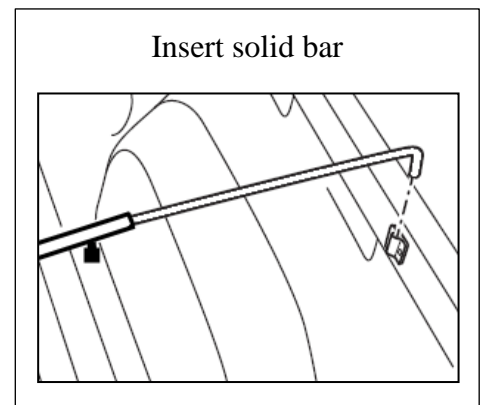
- (b) Measure and mark the centre, and 320mm and 620mm from the centre of the rail, 30mm from the bottom edge.



- (c) Drill through each of the marks of the aluminium rail into the tailgate. Rivet the tailgate rail to the tailgate to complete the attachment.

## 3. FIT THE ADJUSTABLE SUPPORT BAR

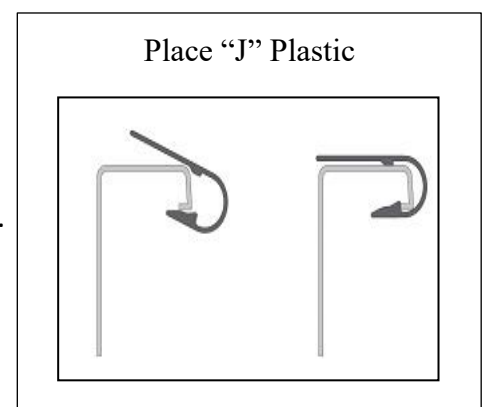
- (a) Insert solid bar pieces into either end of hollow tube. Place the bar into the Bar Brackets and centre the hollow tube.
- (b) Adjust the hollow tube so the holes are facing to the ground (this prevents the grub screws rubbing against the tonneau). Tighten the grub screws to secure the hollow tube into place.



Note: ***Do not over tighten screws as you may damage the threads.***

## 4. FIT THE TONNEAU COVER

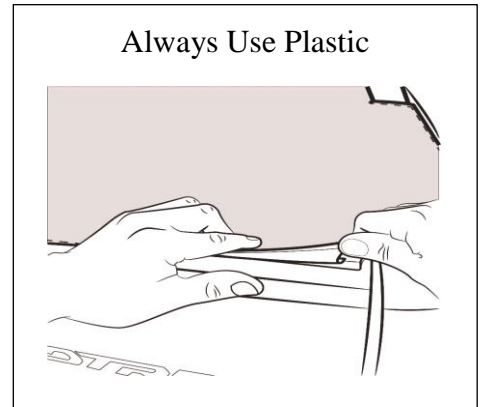
- (a) Fit the front of the Tonneau Cover to the front of the Ute tub placing the Plastic Retainer (Fitted on the Tonneau Cover) on to the Metal Lip on the Body, between the cabin and the Ute Body. (Behind rear windscreen)
- (b) Pull the cover under the sports bar and drape the cover across the tub.



(c) Clip the plastic onto the tailgate rail using the plastic's edge in the corners to help stretch the cover.

(d) To remove cover once fitted peel cover away from Aluminium clip in rail by peeling away from the edge of the plastic.

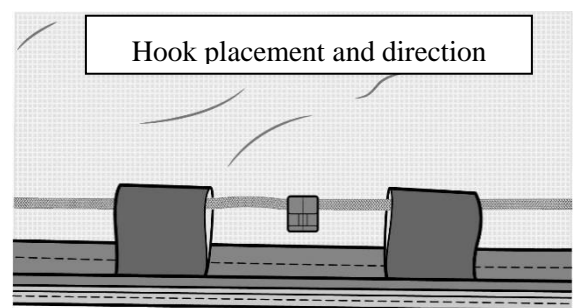
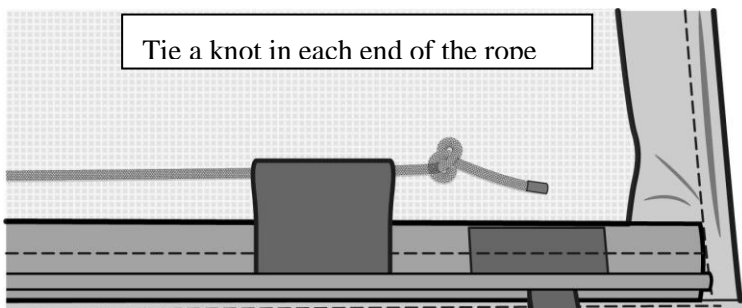
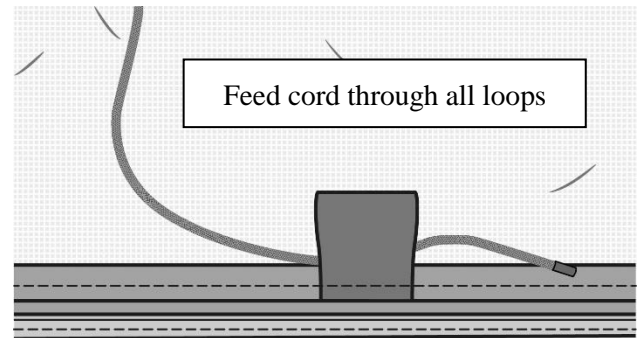
(e) **IMPORTANT:** Do not use cover corners to lift. Always use plastic edges.



### How to Fit Internal Elastic Shock Cord

To be used for covering larger loads

- Tie a knot in one end of the shock cord.
- Pull shock cord through all plastic hooks.
- Feed the shock cord through loops on the cover.
- Tie a knot at the other end.
- Space the hooks as required.
- Use washers to tie off rope.



## Tonneau Cover Tethering System



- **Rivet the extra Metal Bracket to the Front Driver Side Rail.**
- **Untie the end of the rope of the Cover and loop it through the Metal Bracket.**
- **Rethread the Washer and tie the end of the rope into a knot.**