

Tonneau Cover Fitting Instructions

Nissan Navara Dual Cab 4WD STX / ST D40/550

2006 to Jun 2015 Without Sports Bars

Part number: ATC01247

Package includes	
1 x Tonneau Cover	2 x Side Rail (1470mm)
1 x Rope Track (1494mm Long)	1 x Tailgate Rail (1450mm)
1 x Support Bar	26 x 4 mm Rivet
2 x M8 Washers	2 x Dowel
4 x Rope Hooks	2 x Bar Bracket
1 x Fitting instructions	1 x Shock cord
1 x Metal Bracket	

TONNEAU COVER INSTALLATION PROCEDURE

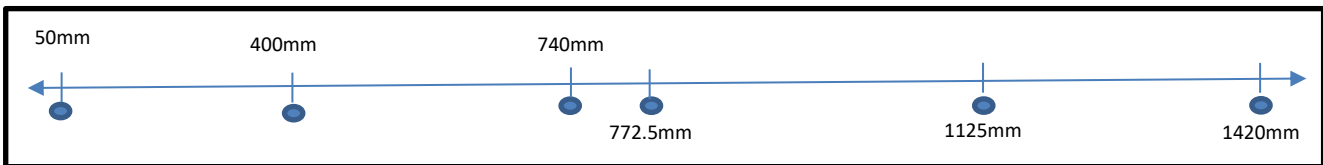
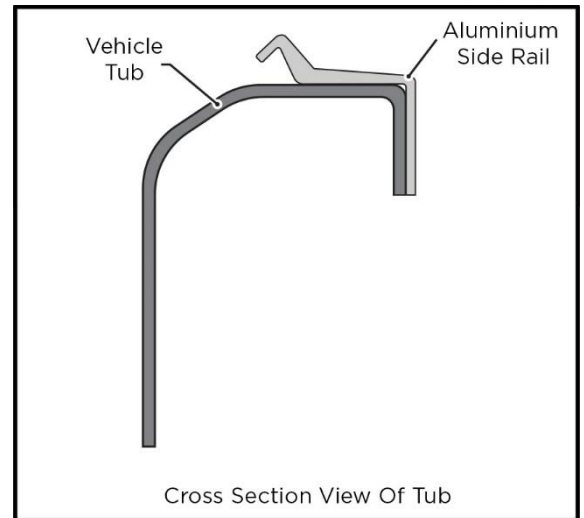
Tools Required: Drill, 4mm Drill Bit, Rivet Gun, Marking Pencil / Pen, Tape Measure.

1. Attach the side Aluminium Rails (1470mm Long). Ensure the aluminium is square with the top of the tub.

From the front edge of the rail, measure and mark the following locations, 30mm up from the bottom edge:

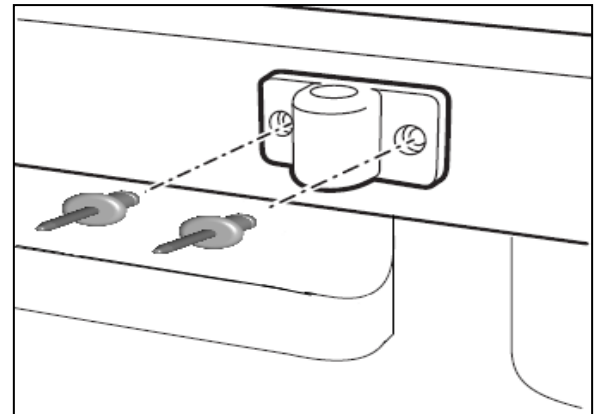
50mm, 400mm, 740mm, 772.5mm 1125mm and 1420mm.

2. Drill through those locations into tub, using 4.5 drill bit. Then rivet into 50mm, 400mm, 1125mm and 1420mm.



3. Attach the bar bracket by placing a 4mm rivet through each hole of the bracket and into the centre holes in the rail.

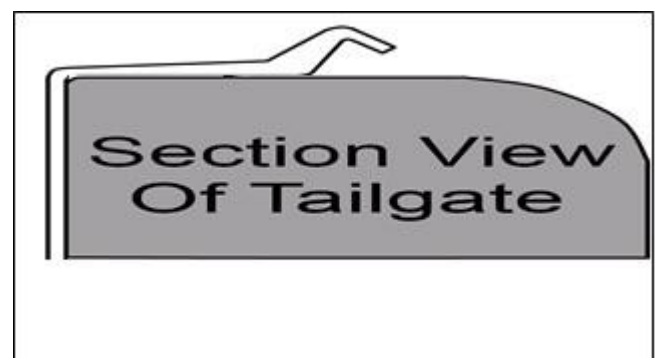
Rivet into the remaining holes (740mm and 772.5mm).



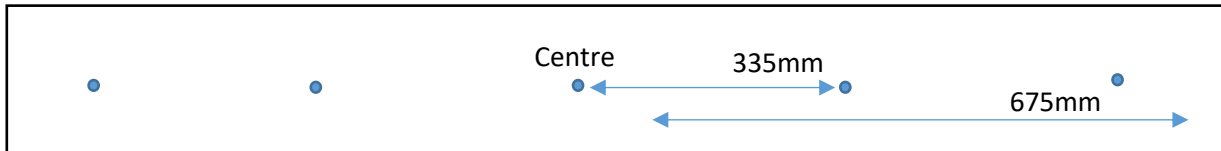
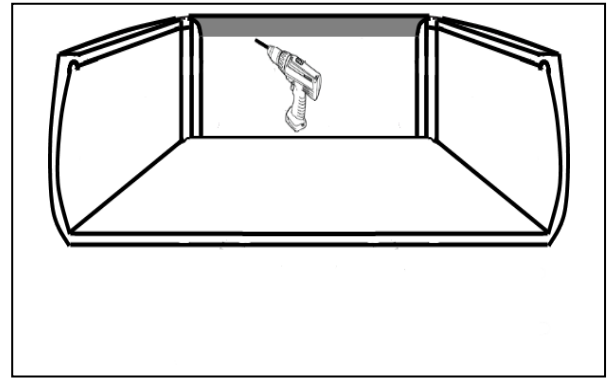
❖ Repeat 7 to 9 instructions for the other side.

4. Attach the tailgate aluminium rail(1450mm Long):

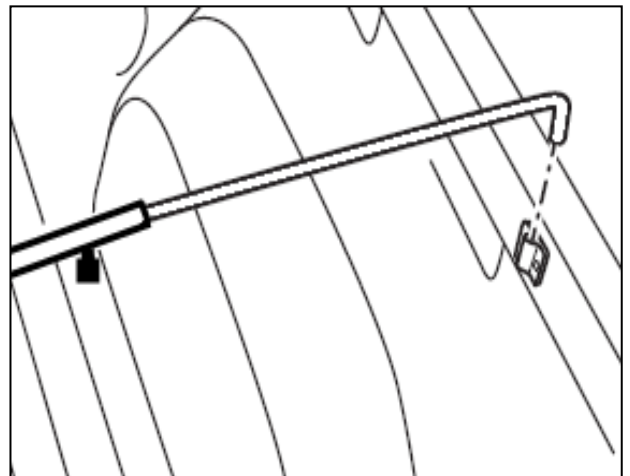
Centre the rail and align the inside edge of the rail with the inside edge of the tailgate, keeping it square with the top of the tailgate.



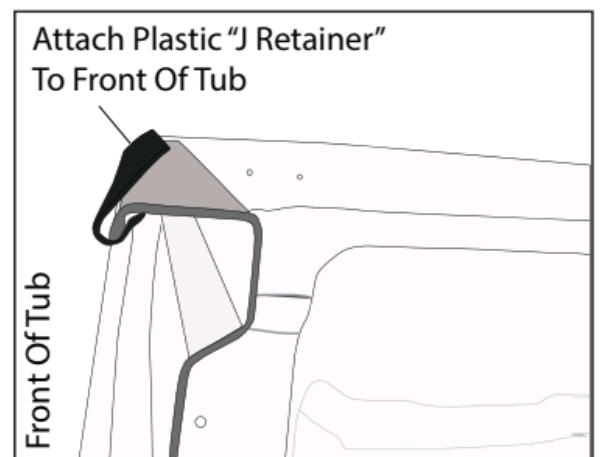
5. Measure and mark the centre, and 335mm and 675mm from the centre of the rail, 30mm from the bottom edge.
6. Drill through each of the holes in the aluminium rail into the tailgate. Rivet the tailgate rail to the tailgate to complete the attachment.



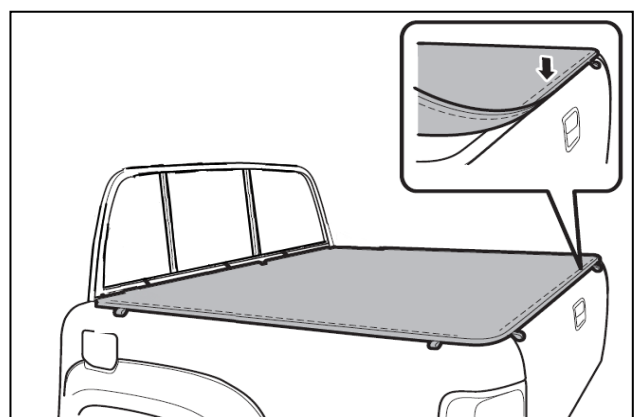
7. Insert solid bar pieces into either end of hollow tube. Place the bar into the Bar Brackets and centre the hollow tube. Adjust the hollow tube so the holes are facing to the ground (this prevents the grub screws rubbing against the tonneau). Tighten the grub screws to secure the hollow tube into place.



8. Fit the front of the Tonneau Cover to the front of the Ute tub placing the Plastic Retainer (Fitted on the Tonneau Cover) on to the Metal Lip on the Body, between the cabin and the Ute Body. (Behind rear windscreen).

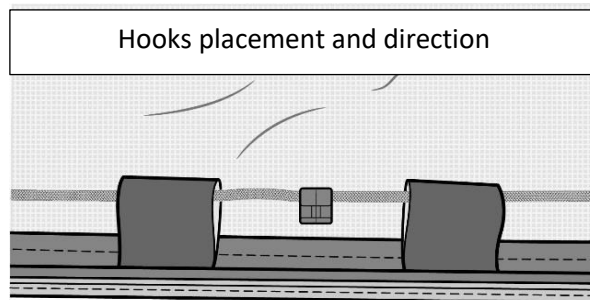
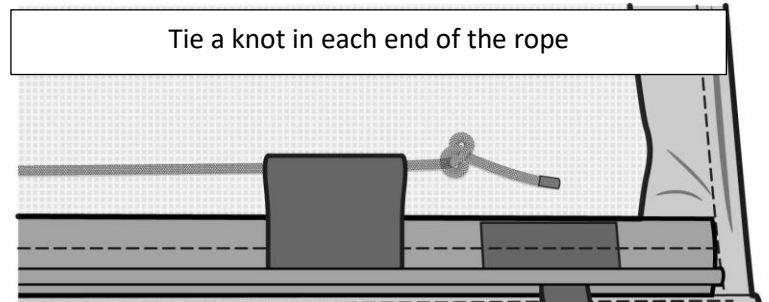
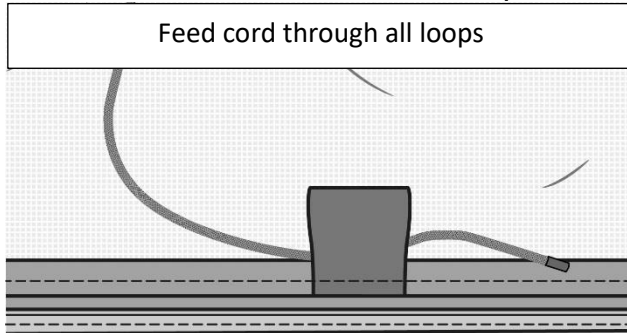


9. Clip the side plastics under the aluminium profile first using the pull loops in the corners to stretch the cover. Clip the plastic on the tailgate under the aluminium profile last.

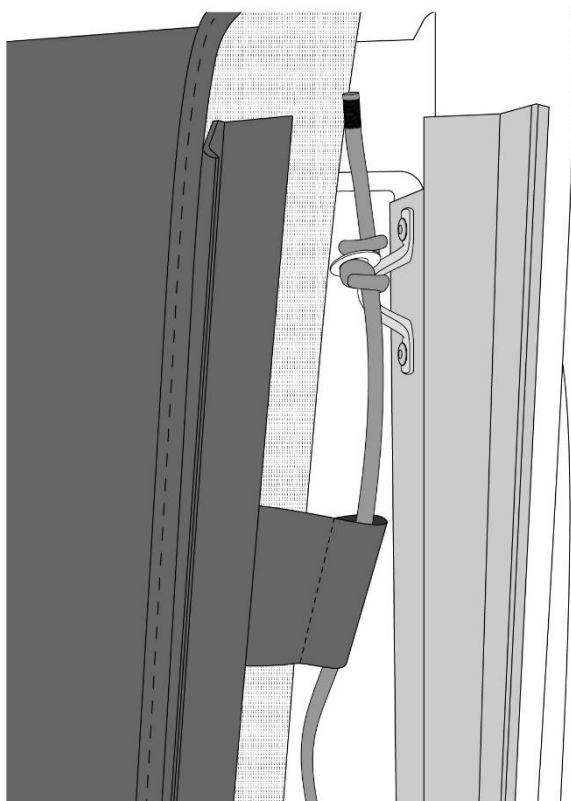


How To Fit Internal Elastic shock Cord To Be Used For Covering Larger Loads

- Tie a knot in one end of the shock cord.
- Pull shock cord through all plastic hooks.
- Feed the shock cord through loops on the cover.
- Tie a knot at the other end.
- Space the hooks as required.
- Use washers to tie off rope.



Tonneau Cover Tethering System



- Rivet the extra Metal Bracket to the Front Driver Side Rail.
- Untie the end of the rope of the Cover and loop it through the Metal Bracket.
- Rethread the Washer and tie the end of the rope into a knot.