

Toyota Hilux

(No Sports Bar and No Headboard)

Clip On Tonneau Cover

April 2005 – September 2015

Fitting Instruction

Part No: ATC01126

(Please read all instructions prior to fitting the tonneau cover. Check that the fitting kit is complete before beginning the installation. Some items in the fitting kit may not be required All fitting kits are weighed to ensure accurate quantities.)

Description	Qty	Note
Tonneau Cover	1	
Rope Track	1	1515mm Long
Side Rail	2	1450mm Long
Shock Cord and Rope Hooks	1 & 4	
S/S Washers	2	
Tailgate Rail	1	1315mm Long
Support Bar	1	
Bar Bracket	2	
4 mm Rivets	28	4mm Diameter
Metal Bracket	1	
Fitting Instructions	1	

1. INSTALLATION PROCEDURE

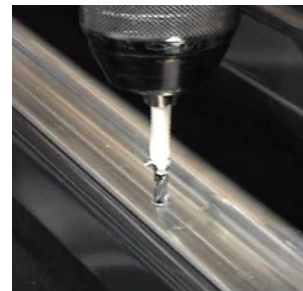
1. Ropetrack

- (a) Sit the flat side of the rope track on the top front edge of the tub with the 'C' channel facing forward.
- (b) Align the front of the 'C' channel with the outside edge of the top edge. Arrow indicates to the cab (Front Tub).
- (c) Centralize the rope track.
- (d) With a 4mm drill bit, Drill 5 x 4mm holes evenly spaced in the rope track and into the top edge of the tub.
- (e) Place a 4mm rivet in each hole as it is drilled, but do not rivet.
- (f) Once all holes have been drilled, remove the rivets and rope track and clean any swarf away.
- (g) Apply a bead of silicone to the flat face of the rope track (the edge that comes in contact with the top edge of the tub) and place the rope track back in position.
- (h) Then rivet into place.

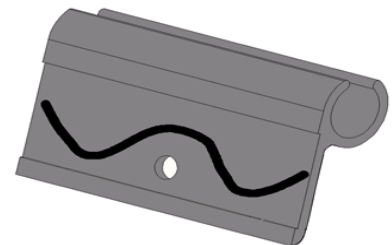
Placement of Ropetrack



Drill The Ropetrack



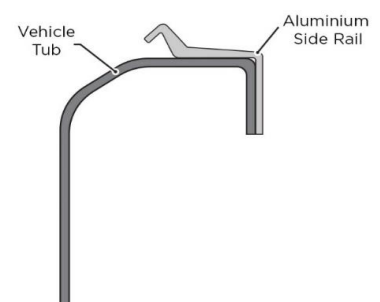
Apply Bead of Silicone



2. Attach The Side Aluminium

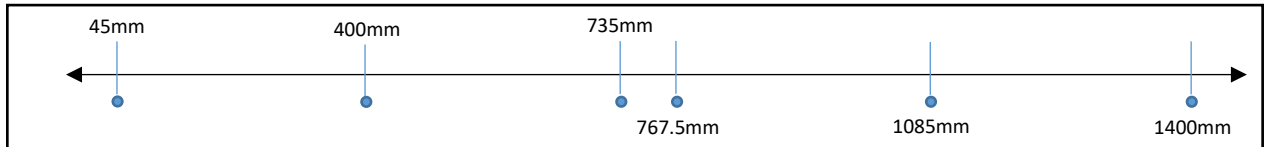
- (a) Locate the Side Rail (1450mm) hard up against the front edge of the tub with the notch to the rear with the aluminium square with the top of the tub.

Figure



(b) From the front edge of the rail, 30mm up from the bottom edge of the rail measure and mark the following locations:

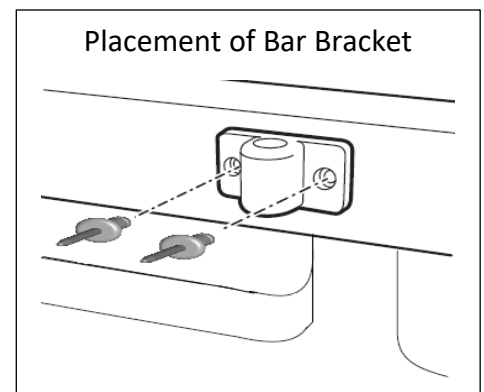
- 45mm, 400mm, 735mm, 767.5mm, 1085mm and 1400mm.



(c) Drill through those locations into tub, using 4.5 drill bit. Then rivet into 50mm, 355mm, 1045.5mm and 1350mm.

3. Attach The Bar Bracket

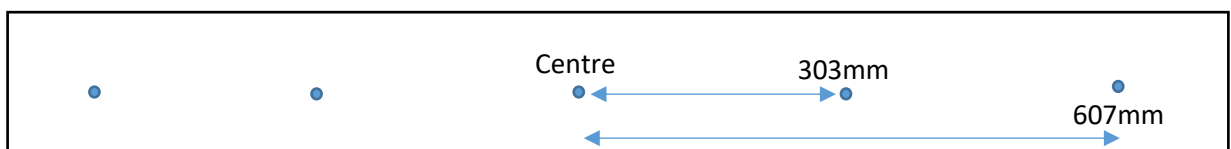
- (a) Attach the bar bracket by placing a 4mm rivet through each hole of the bracket and into the centre holes in the rail.
- (b) Rivet remaining holes (683mm and 716mm).



❖ Repeat Instructions 2 and 3 For The Other Side.

4. Attach Tailgate Aluminium Rail

(a) Measure and mark the centre, to both 303mm and 607mm from the centre of the rail, 30mm from the bottom edge.



(b) Position the aluminium in the centre of the tailgate, so that it is sitting square with the top surface of the tailgate.

(c) Drill through each of the holes in the Aluminium rail into the tailgate. Rivet the tailgate rail to the tailgate to complete the attachment.

Square with Top of Tailgate



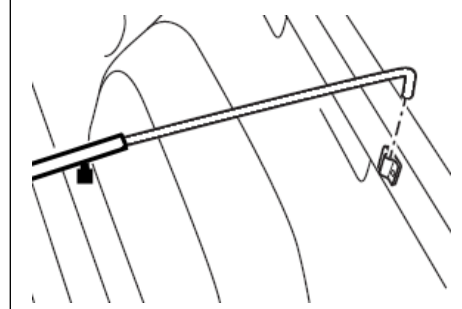
5. Fit Support Bar

(a) Insert solid bar pieces into either end of hollow tube. Place the bar into the Bar Brackets and centre the hollow tube.

(b) Adjust the hollow tube so the holes are facing the ground (this prevents the grub screws rubbing against the tonneau).

(c) Tighten the grub screws to secure the hollow tube into place.

Insert solid bar



NOTE: Do not over tighten screws as you may damage the threads.

6. Fit The Tonneau Cover

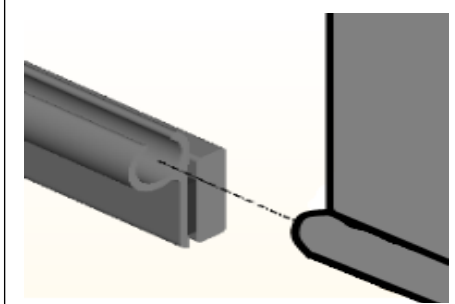
(a) To attach the cover, slide the Rope Front into the ropetrack channel and drape the cover across the tub.

(b) Clip the side plastics under the aluminium profile first using the pull loops in the corners to stretch the cover.

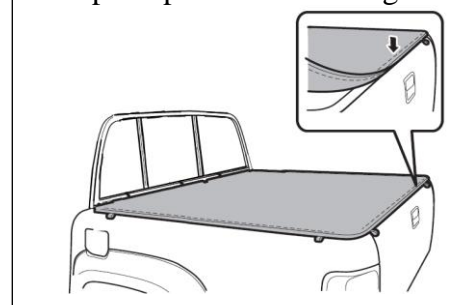
(c) Clip the plastic on the tailgate under the aluminium profile last.

(d) You can adjust your Tonneau Cover, to make it tighter or looser, by simply raising or lowering the height of your tonneau support bar.

Slide Rope Front into the Ropetrack channel



Clip the plastic on the tailgate



Tonneau Cover Tethering System

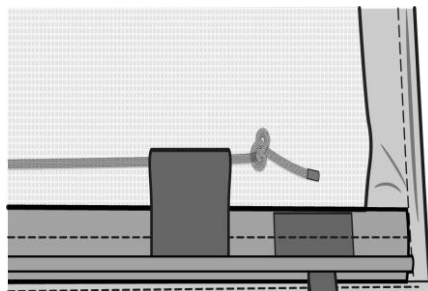


- Rivet the extra Metal Bracket to the Front Driver Side Rail.
- Untie the end of the rope of the Cover and loop it through the Metal Bracket.
- Rethread the Washer and tie the end of the rope into a knot.

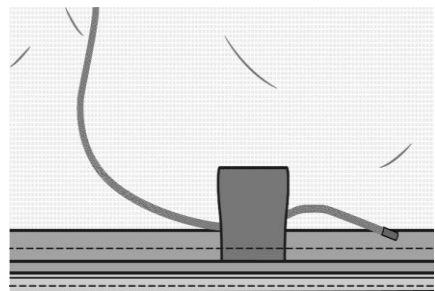
2. HOW TO FIT INTERNAL ELASTIC SHOCK CORD

- Tie a knot in one end of shock cord.
- Pull shock cord through all plastic hooks.
- Feed the shock cord through loops on the cover.
- Tie a knot at the other end
- Space the hooks as required
- Use washers to tie off rope

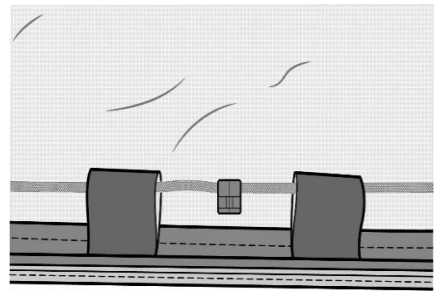
Tie a knot each ends of rope



Feed cord through all loops



Hook placement and direction



Using Internal Elastic Shock Cord:

The plastic clips on the internal shock cord can be hooked into the aluminium extrusions so that the cover can still be secured with larger loads in the tub.