

Holden Colorado Clip On Tonneau Cover With Factory Sports Bars

Fitting Instruction Part No. ATC01078

Description	QTY	Notes
Tonneau Cover	1	
Rope Track	1	1535mm Long
Rear Side Rail	2	735mm Long ea.
Front Side Rail	2	485mm Long ea.
Tailgate Rail	1	1370mm Long
Support Bar	1	
Bar Bracket	2	
4 mm Rivets	24	4mm Diameter
Fitting Instructions	1	
Shock Cord and Rope Hook	1 & 4	
M8 Washers	2	

Tools required;

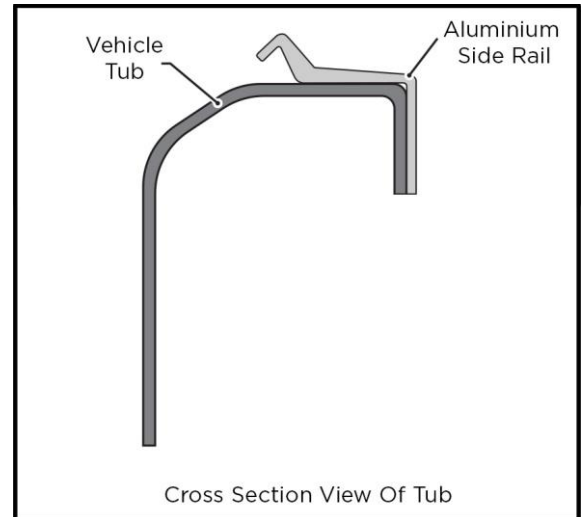
Drill, 4mm Drill Bit, Silicone, Rivet Gun, Marker, Tape Measure.

Please read all instruction prior to fitting tonneau cover. Check that the fitting kit is complete before the beginning installation. Some items in fitting kit may not be required. All fitting kit are weighed to ensure accurate quantities.

Installation Procedure

1. Attach Front Side Aluminium Rail

- Centre the rail between the sports bars. Ensure the aluminium is square with the top of the tub.
- Measure and mark a spot 50mm in from each end and 30mm up from the bottom edge of the rail.
- Drill through these locations into the tub using a 4.5mm drill bit. Then rivet into place.

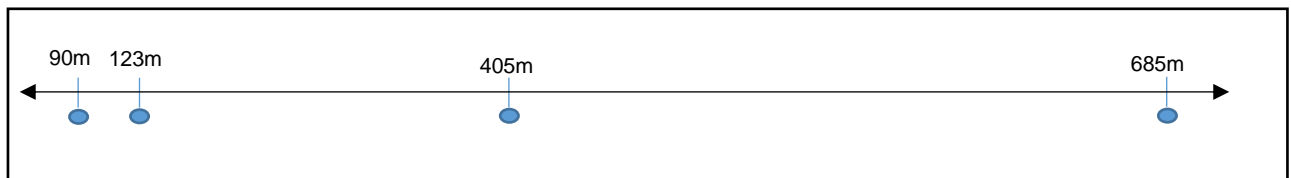


2. Attach Rear Side Aluminium Rail

- Position the rail behind the sports bars. Ensure the aluminium is square with the top of the tub.
- From the front edge of the rail, 30mm from the bottom edge, measure and mark the following locations:

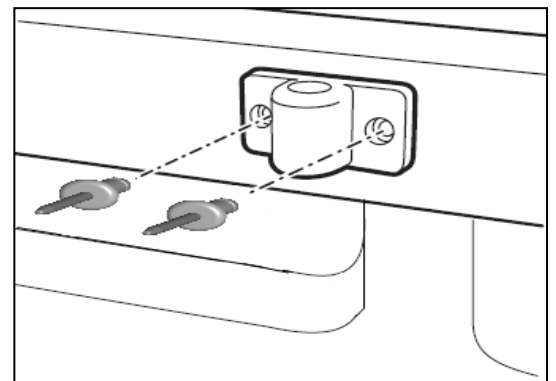
90, 123, 405 and 685mm.

- Drill through these locations into the tub using a 4.5mm drill bit. Rivet into 405mm and 685mm.



3. Attach The Bar Bracket

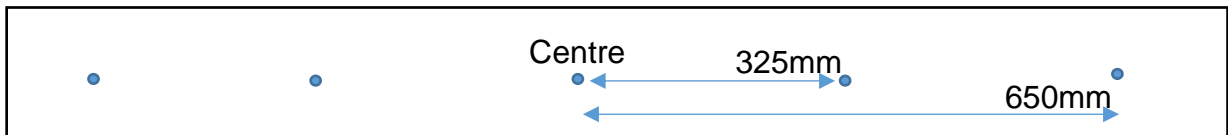
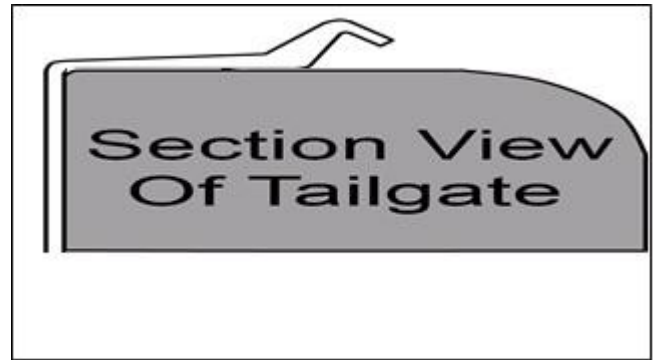
- Attach the bar bracket by placing a 4mm rivet through each hole of the bracket and into the remaining holes in the rail(90mm and 123mm).
- Then rivet into them.



❖ Repeat Those Instructions For The Other Side.

4. Attach The Tailgate Aluminium Rail

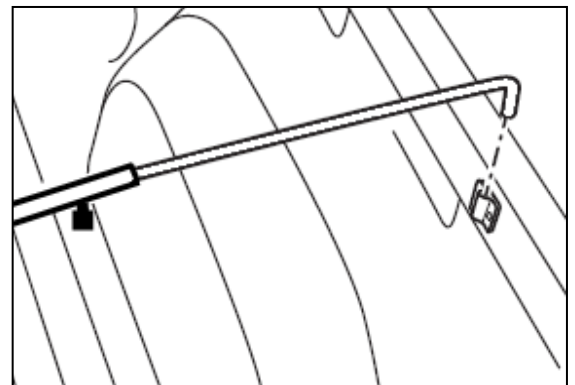
- Position the aluminium in the centre of the tailgate, so that it is sitting square with the top surface of the tailgate.
- Measure and mark the centre, both 325mm and 650mm from the centre of the rail, 30mm from the bottom edge.



- Drill through each of the holes in the aluminium rail into the tailgate. Rivet the tailgate rail to the tailgate to complete the attachment.

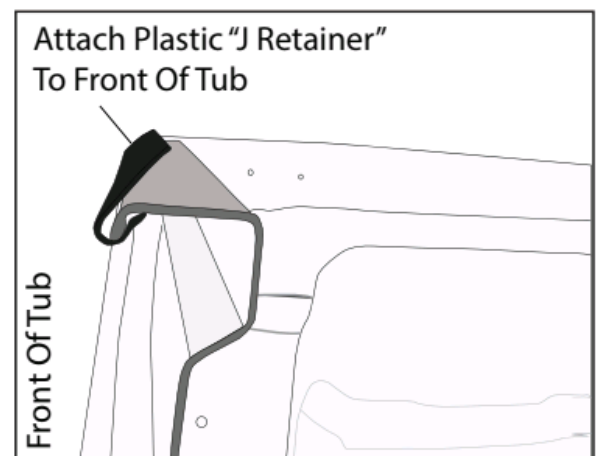
5. Fit The Support Bar

- Insert solid bar pieces into either end of hollow tube. Adjust bar so it fits between bar bracket holders with the holes facing to the ground (so the grub screws don't rub against the tonneau).
- Screw grub screws through the hollow bar. Make sure you do not over tighten the grub screws. You may kink the bar in the middle to give it some extra height to assist with water runoff.



6. Fit The Cover

- Fit the front of the Tonneau Cover to the front of the Ute tub placing the Plastic Retainer (Fitted on the Tonneau Cover) on to the Metal Lip on the Body, between the cabin and the Ute Body. (Behind rear windscreen).
- Pull the cover under the sports bar and drape the cover across the tub.
- Clip the side plastics under the aluminium rails to stretch the cover.



You can adjust your tonneau, to make it tighter or looser, by simply raising or lowering the height of your tonneau support bar.

How to Fit Internal Elastic Shock Cord

To be used for covering larger loads

- Tie a knot in one end of the shock cord.
- Pull shock cord through all plastic hooks.
- Feed the shock cord through loops on the cover.
- Tie a knot at the other end.
- Space the hooks as required.
- Use washers to tie off rope.

