

TONNEAU COVER FITTING INSTRUCTION

Isuzu D-max MY15 Dual Cab Without Sport Bar & Headboard

July 2012 – June 2016

Part Number: ATB01149

1. TONNEAU COVER FITTING

NOTE: Read entire instructions prior to start.

1.1 BASIC TOOL REQUIRED

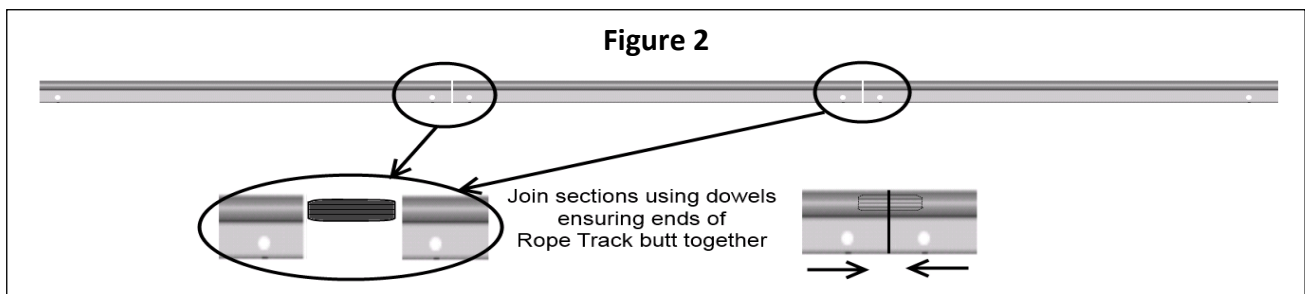
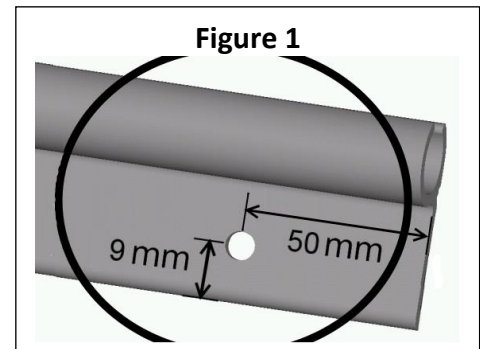
Drill, 4mm Drill Bit, Tape Measure, Rivet Gun, Marking Pencil / Pen, Clear Silicone / Silicone Gun

1.2 CONTENTS

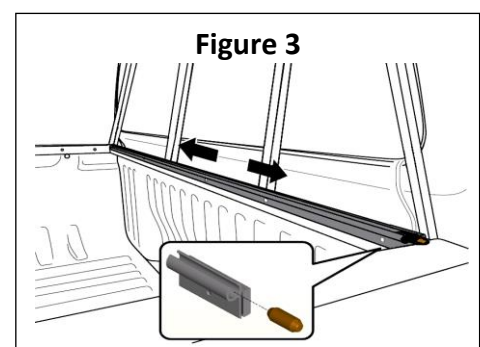
1 x Tonneau Cover	2 x Bar Brackets
3 x Aluminium Rope Track - 510mm	16 x Rope Buttons
1 x Tonneau Support Bar	28 x Rivets
	4 x Dowel

1.3 TONNEAU COVER INSTALLATION PROCEDURE

- Using a 4mm drill bit, drill a hole 50 mm in from each end and 9 mm up from the bottom of the 3 pieces of rope track as shown in **Figure 1**.
- Join the 3 pieces of rope track together using the 2 pieces of wooden dowel as shown in **Figure 2**.



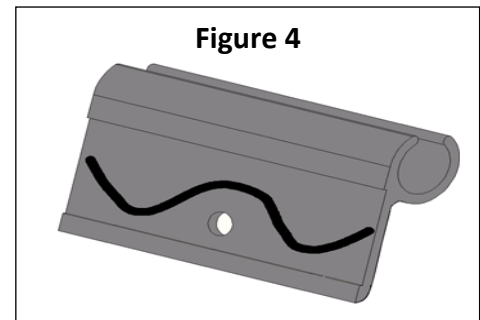
- Place the remaining 2 pieces of dowel in the ends of the rope track. Ensure the flat side of the rope track is the surface positioned vertical against the tub face. See **Figure 3**
- Drill through the holes in the rope track into the front wall of the tub.



5. Apply a bead of clear silicone along the centre of the front edge of the rope track. **See Figure 4**

6. Rivet the aluminium rope track into Position.

7. To fit bar bracket, mark the inside edge on each side of the tub at 740mm from the inside front face of tub towards the rear on each side.



8. Centrally locate the bar bracket over this position and align the top of the bar bracket 10mm down from the top edge of the tub and drill and rivet bracket into place. **See Figure 5**. Repeat for other side of tub.

9. Use instruction over page to fit tonneau support bar.

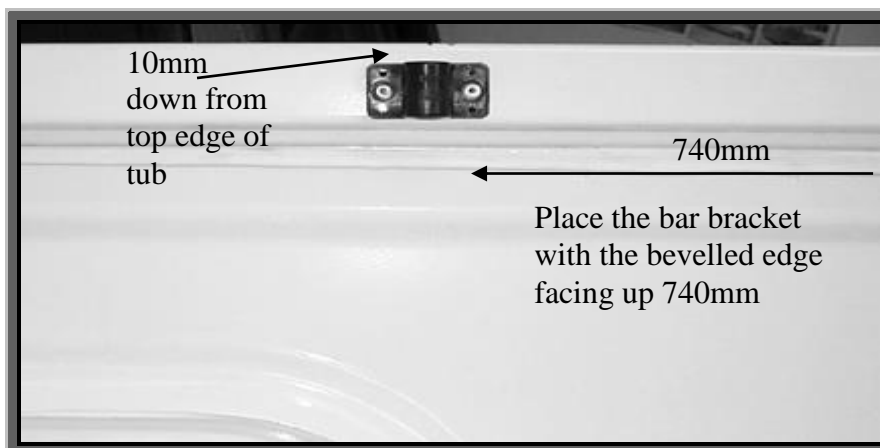


Figure 5

10. Slide the front of the tonneau cover through the aluminium rope track section. Ensure tonneau is centred. Start with the tailgate.

11. Vertically line up each button to each bunji loop starting from the centre bunji loops.

The height for the buttons on the tailgate is 410mm UP from the bottom edge of the tailgate.

Work from the centre out, alternating from side to side. Attach each bunji to the button as it is fitted.

12. To fit the rope buttons to the sides: Vertically line up each button to each bunji loop starting from the rear bunji loop, alternating from side to side working towards the front. The height for the side rope buttons are all measured down from the **TOP INSIDE EDGE** of the tub.

13. For the rear button measure 160mm, 165mm for the second button from the rear, and 170mm for the next two buttons. For the button closest to the front of the tub measure

175mm down and 25mm back from the front edge of the tub. Attach each bunji to the button as it is fitted.

NOTE: All Side measurements are to be taken from the TOP INSIDE EDGE of the tub.

2. CARING FOR YOUR TONNEAU

Apply bee's wax or Dri-lube to stitching a few times a year, as this will maintain the tonneau's waterproofing ability and prevent the stitching from degrading. Use a mild detergent and soft scrubbing brush to clean tonneau.

Never drive without tonneau support bars in place as flapping can cause a delaminating effect on the material.

"Tonneau is not designed to be used as a load restraint"

3. MULTI-FIT SUPPORT BAR

The Aussie Tonneau Multi - Fit Support Bar is designed to fit almost all Utes on the Market, from Suburu Brumbys to Cab Chassis aluminium trays.

3.1 BASIC TOOL REQUIRED

Drill, 4mm drill bit

3.2 MULTI SUPPORT BAR CONTENTS

- 1 x hollow bar centrepiece
- 2 x grub screws
- 2 x solid bar end piece

3.3 FITTING MULTI SUPPORT BAR

1. Insert solid bar pieces into either end of hollow tube. Adjust bar so it fits between bar bracket holders with the holes facing to the ground (so the grub screws don't rub against the tonneau), as shown above and then with a white pencil make a mark through the small holes of the hollow bar onto the solid ends. This is where you will drill a hole to the depth of about 1-2mm (do not go any further)
2. Join the pieces back together and screw grub screws through the hollow bar into the holes that you drilled. Make sure you do not over tighten the grub screws. Refit the bar. You may kink the bar in the middle to give it some extra height to assist with water runoff.