

# TONNEAU COVER INSTALLATION INSTRUCTION

## NISSAN NAVARA D22T 4WD STR

### DUAL CAB WITH SPORT BAR

#### 2009 – JUNE 2015

#### PART NUMBER: ATB01096

#### BASIC TOOLS REQUIRED

- Drill, 4.5mm Drill Bit, Tape Measure, Rivet Gun, Marking Pencil / Pen

#### CONTENTS

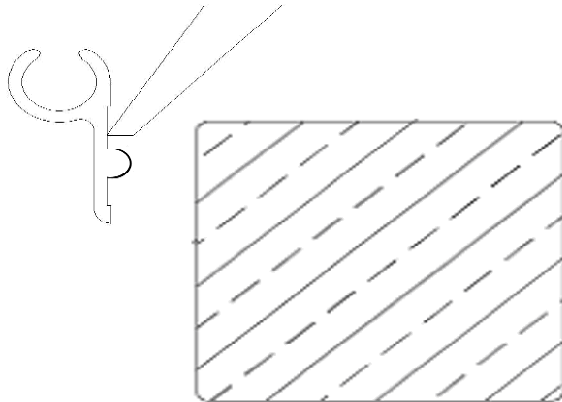
1 x Tonneau Cover	3 x Aluminium Rope Track (461mm)
2 x Bar Brackets	24 x Rivets
1 x Tonneau Support Bar	14 x Rope Buttons
4 x Pieces of Dowell	

## 1. INSTALLATION PROCEDURE

Note: To prevent corrosion apply an anti-corrosive primer to all holes drilled.

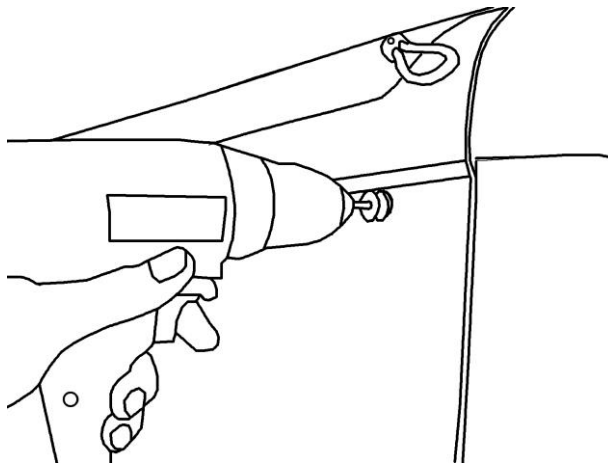
1. Using two pieces of dowel, join the 3 aluminium rope tracks together. Place the other 2 pieces of dowel in the ends of the now joined rope track.
2. Rest the aluminium rope track on the side rails as Shown in Diagram A, and push forward to the vertical face of the tub.
3. Using a 4.5 mm drill bit, drill 6 holes 50mm from the end of each of the aluminium rope tracks into the front of tub.
4. Once all the holes have been drilled, remove the dowelling pieces. Squeeze silicon along the back of the rope tracks and pop rivet into place.
5. Place the bar bracket 725mm rear from the inside edge of the front of the tub and 12mm up from the bottom lip, drill and rivet in place.
6. Slide the front of the tonneau cover through the aluminium rope track section.
7. Neatly lay tonneau out over support bar and tub in the installed position.
8. To fit the rope buttons to the tailgate, mark two vertical lines just below the form line on the Tailgate, 65mm and 482mm in from the RHS edge of the Tailgate. Align the top edge of the Buttons with the lower edge of the form line, and the centre of the Button hole with the vertical lines. Once in position use the Button as a guide and drill a 4.5 mm hole through the Tailgate. Repeat Step 8 for the LHS
9. To fit rope buttons to the sides, mark vertical lines just below the form line, 50 mm, 392 mm, 736 mm, 1084 mm, and 1429 mm from the front edge of the tub on the LHS.
10. Align the top edge of the Button with the lower edge of the form line, and the centre of the Button holes with the vertical lines.

11. Once in position use the Button as a guide and drill 4.5 mm holes through the sheet metal.
12. Attach the Buttons to the Tub, using the 4mm rivets.
13. Attach the tonneau cover to all rope buttons.



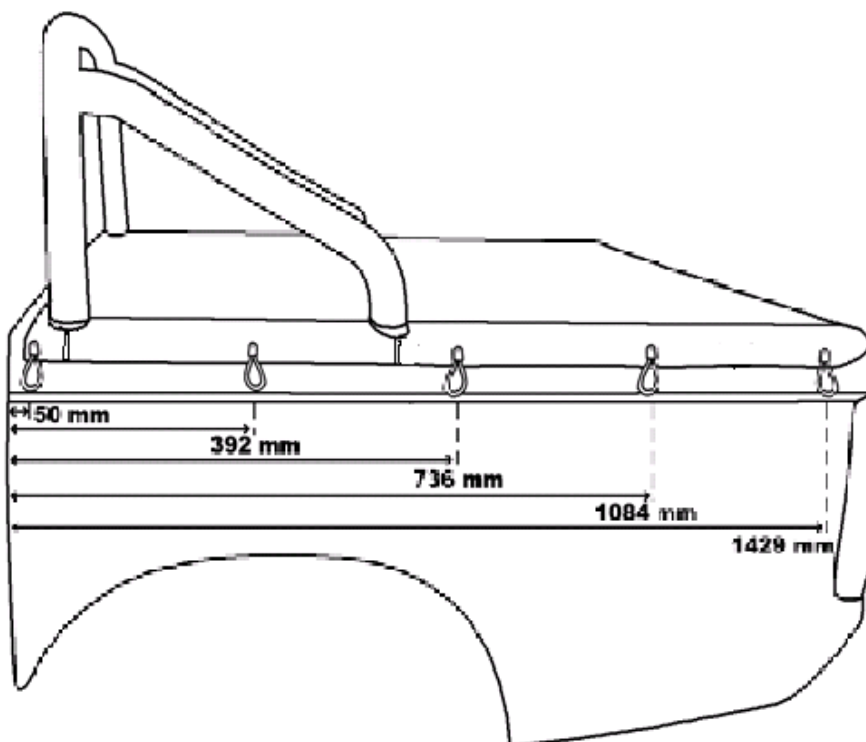
**Figure 1**

Placement of aluminium rope track. Ensure channel is above the tub's top edge.



**Figure 2**

Placement of rope button is on tailgate panel crease as per measurements.



**Figure 3**

Placement of rope button is on the side, is under panel crease as per measurements.

## 2. CARING FOR YOUR TONNEAU

Apply bee's wax or Dri-lube to stitching a few times a year, as this will maintain the tonneau's waterproofing ability and prevent the stitching from degrading. Use a mild detergent and soft scrubbing brush to clean your tonneau cover.

Never drive without tonneau support bars in place as the flapping can cause a delaminating effect on the material.

"Tonneau is not designed to be used as a load restraint"

## 3. MULTI-FIT SUPPORT BAR

The Aussie Tonneau Multi - Fit Support Bar is designed to fit almost all Utes on the Market, from Suburu Brumbys to Cab Chassis aluminium trays.

### 3.1 BASIC TOOL REQUIRED

- Drill, 4mm drill bit

### 3.2 MULTI-FIT SUPPORT BAR CONTENTS

- 1 x hollow bar centrepiece                      - 2 x grub screws  
- 2 x solid bar end piece

### 3.3 FITTING MULTI-FIT BAR

1. Insert solid bar pieces into either end of hollow tube. Adjust bar so it fits between bar bracket holders with the holes facing to the ground (so the grub screws don't rub against the tonneau), as shown above and then with a white pencil make a mark through the small holes of the hollow bar onto the solid ends. This is where you will drill a hole to the depth of about 1-2mm (do not go any further)
2. Join the pieces back together and screw grub screws through the hollow bar into the holes that you drilled. Make sure you do not over tighten the grub screws. Refit the bar. You may kink the bar in the middle to give it some extra height to assist with water runoff.