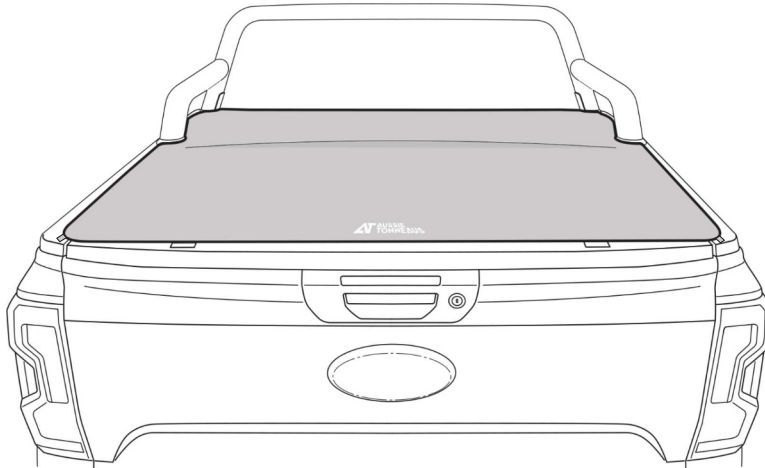
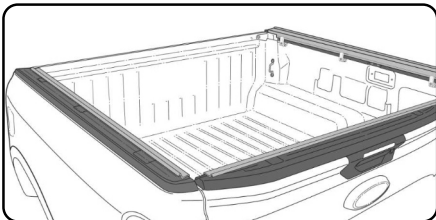


FITTING INSTRUCTIONS

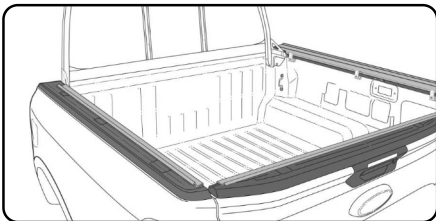
Clamp On Pro Covers



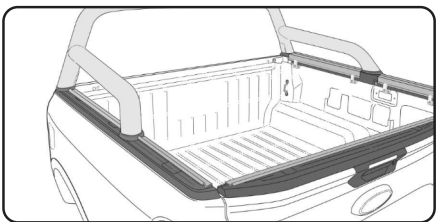
In the Box



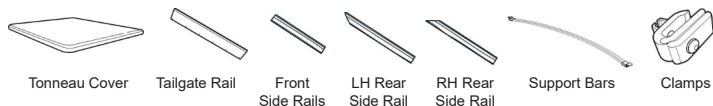
No Sport Bar Model



Headboard Model



Sport Bar Model



Tools Required



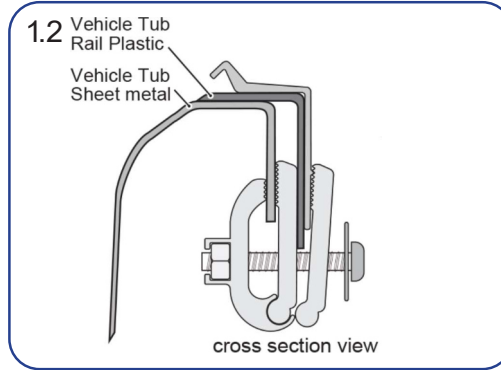
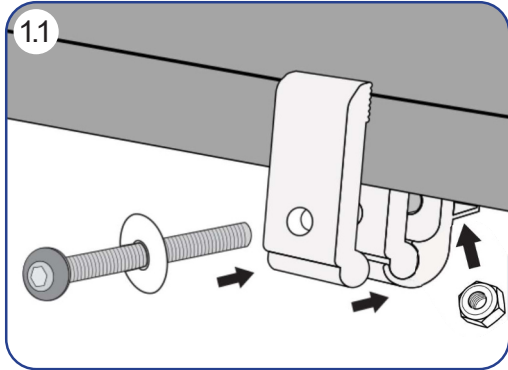
4mm Hex Key



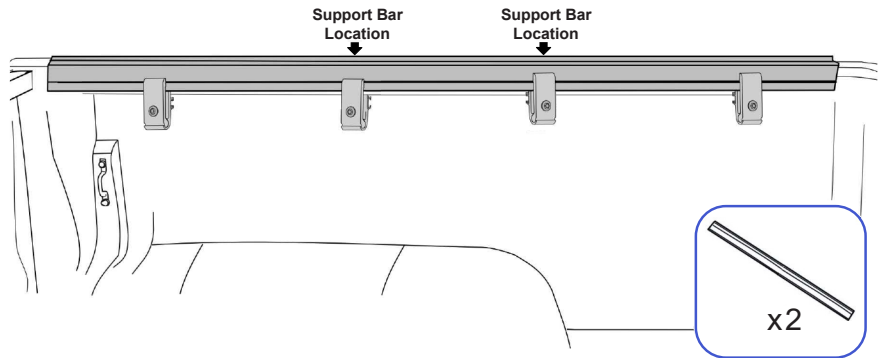
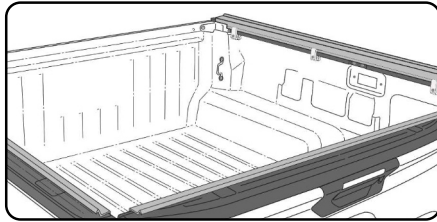
Screw Driver

1. Attach the Side Aluminium Rails

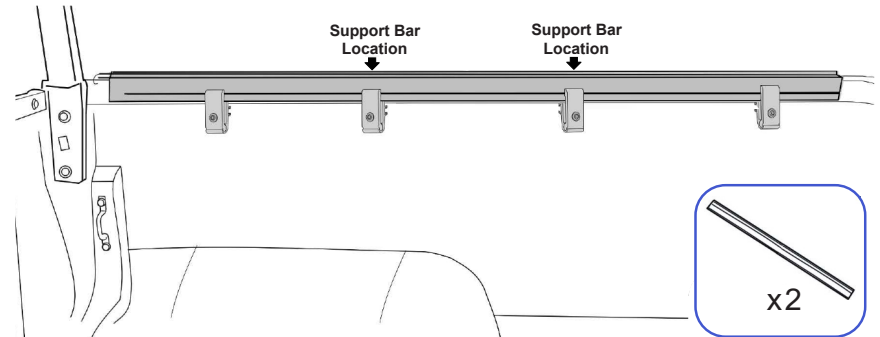
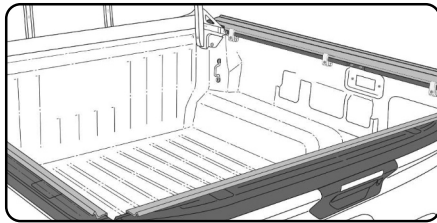
Clamp Assembly



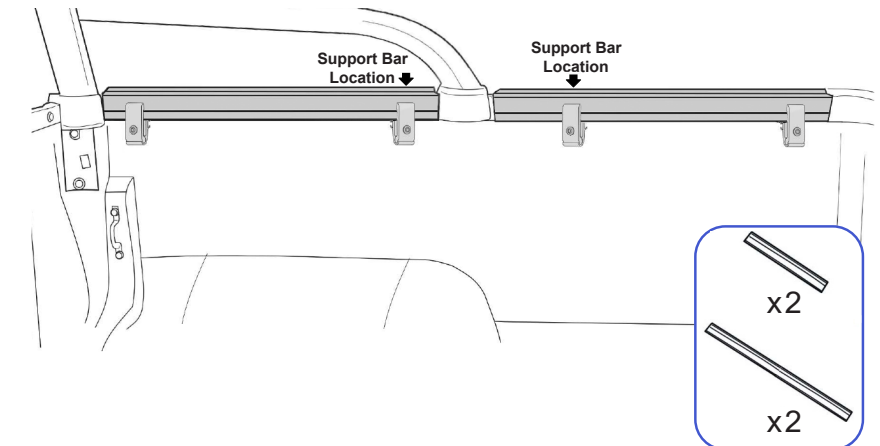
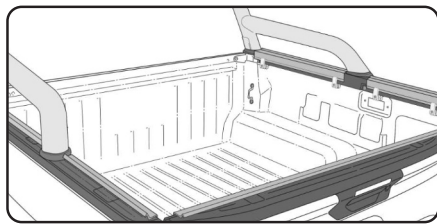
No Sport Bar Model



Headboard Model

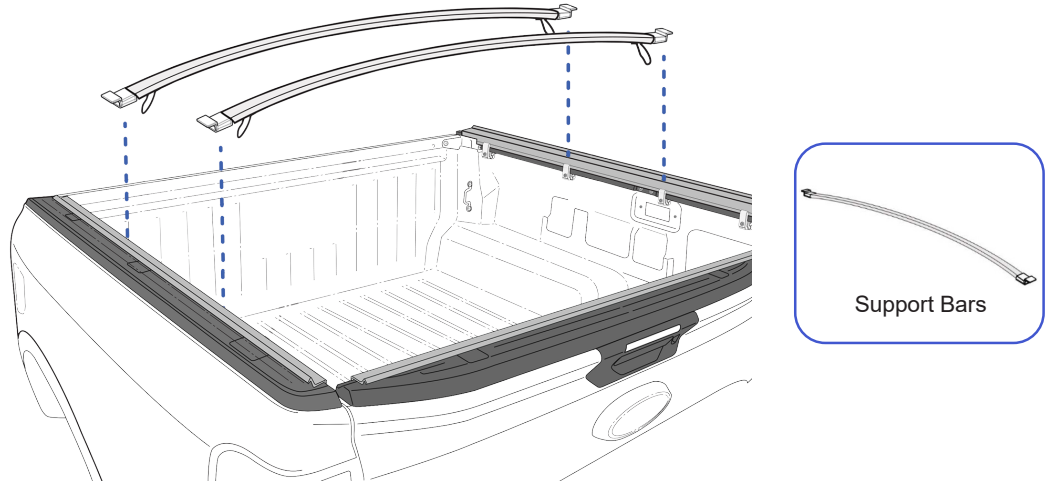


Sport Bar Models

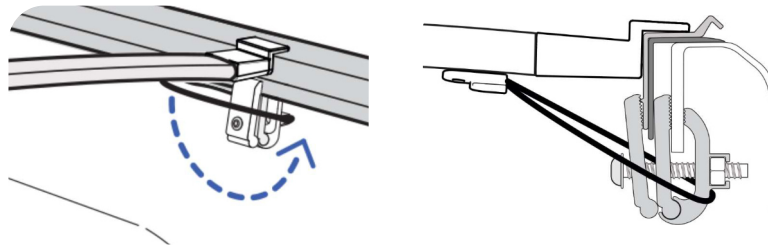


2. Attach Support Bars

2.1 Fit the Curved Oval tube to top of the the aluminium rails, in the centre of the Tub.



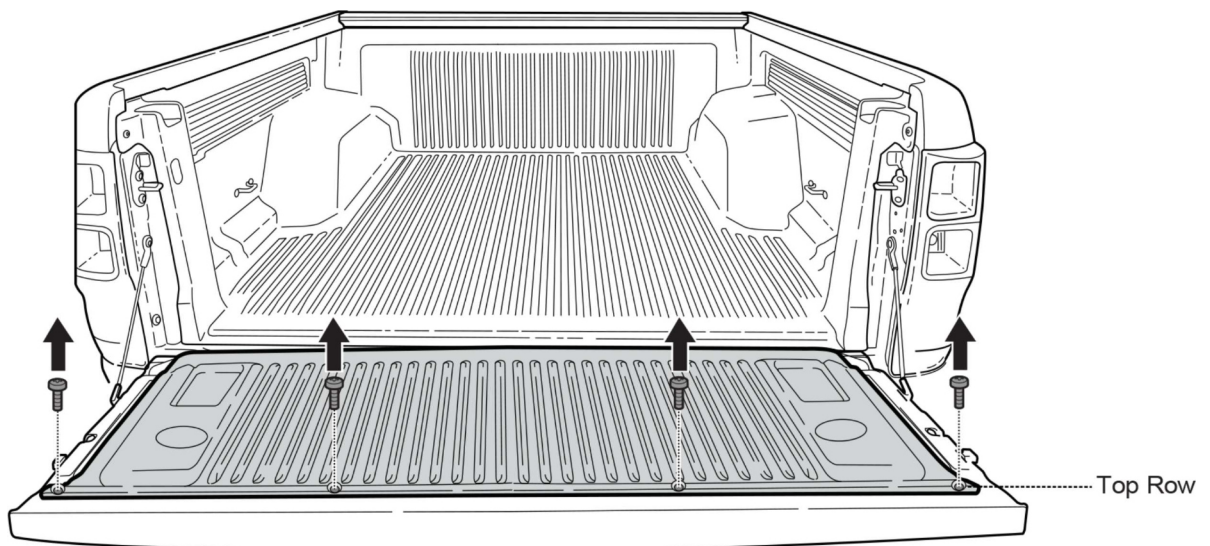
2.2 Wrap bunji cord around the centre clamp. This is to prevent support bars from coming off.



3. Prepare TailGate Rail

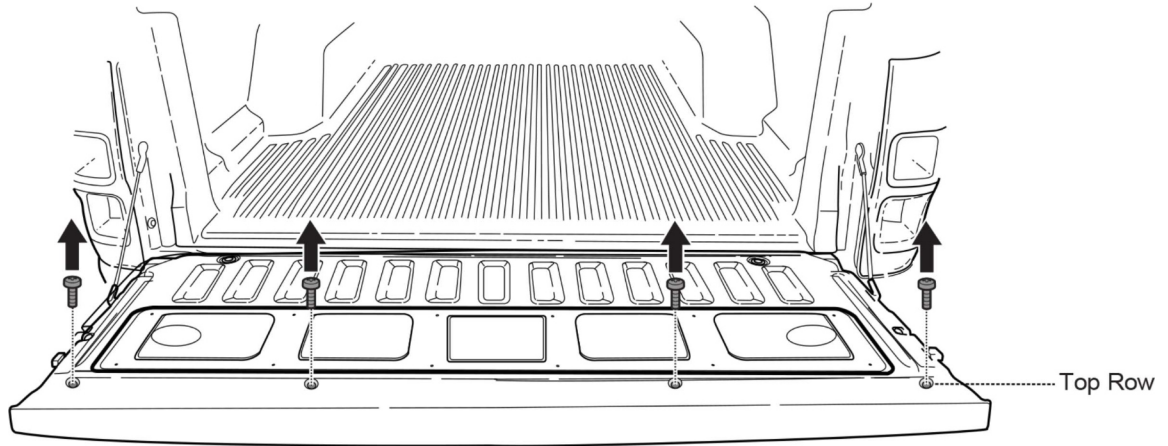
For Vehicles with Tailgate Liners:

3.1 Remove Tailgate liner (if fitted), by unscrewing 4 factory screws. The aluminium Tailgate Rail can go on top of tailgate liner and the 4 factory screws can be used again to attach the Tailgate Rail.



For Vehicles without Tailgate Liners:

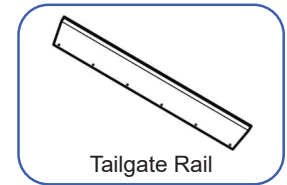
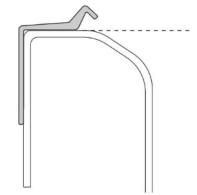
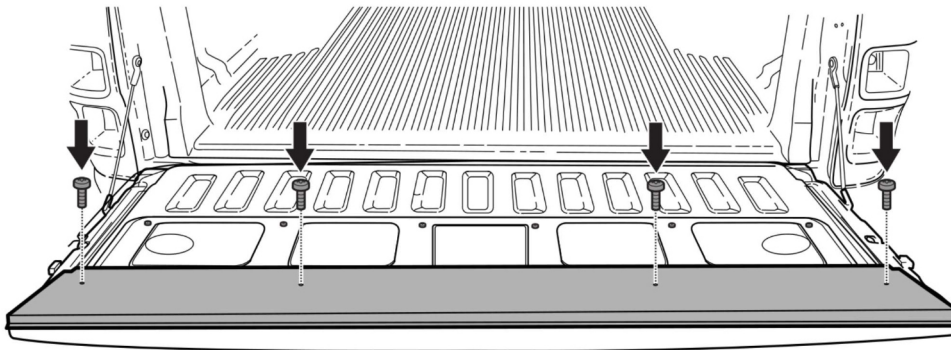
3.1 Unscrew the 4 factory screws as shown. The aluminium Tailgate Rail can then be positioned in place and the 4 factory screws can be used again to attach the Tailgate Rail.



4. Attaching Tailgate Rail

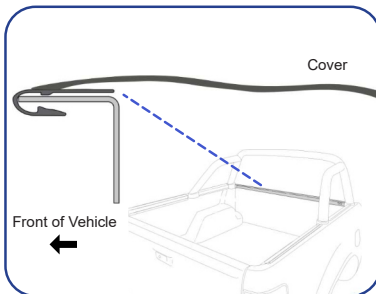
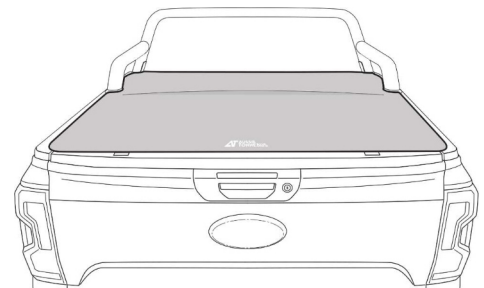
4.1 Place the Tailgate Rail as shown so it is flush with the top surface.

1. Using only the top row of screws, re-install the Tailgate Liner if it has one.
2. Install the Tailgate Rail by screwing into the factory screw locations.

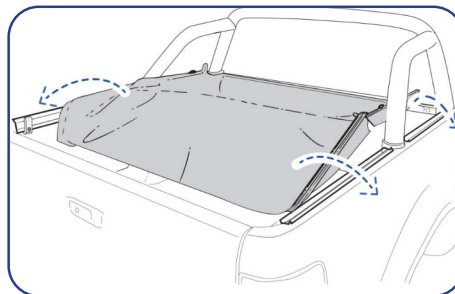


5. Fitting the cover

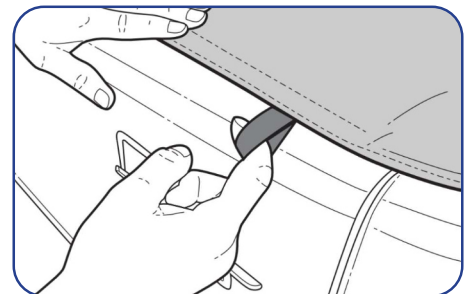
1. Attach front of the cover to front lip of vehicle.
2. Engage the back of cover first, followed by the sides. The corners have pull tabs (3) to help pull the cover in place.



1



2



3

Congratulations! You are now done and ready to enjoy your new Aussie Tonneaus Cover!